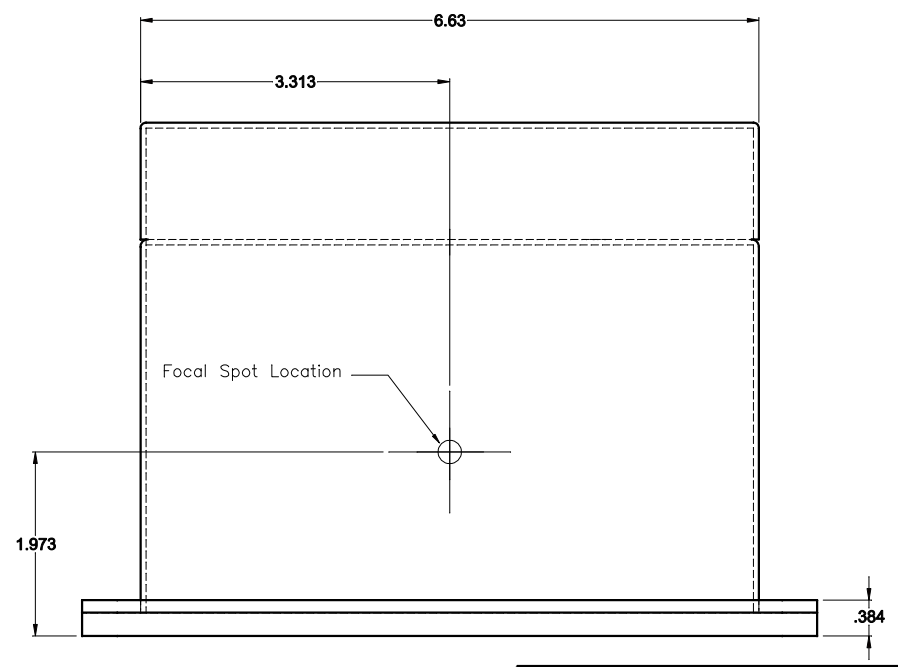
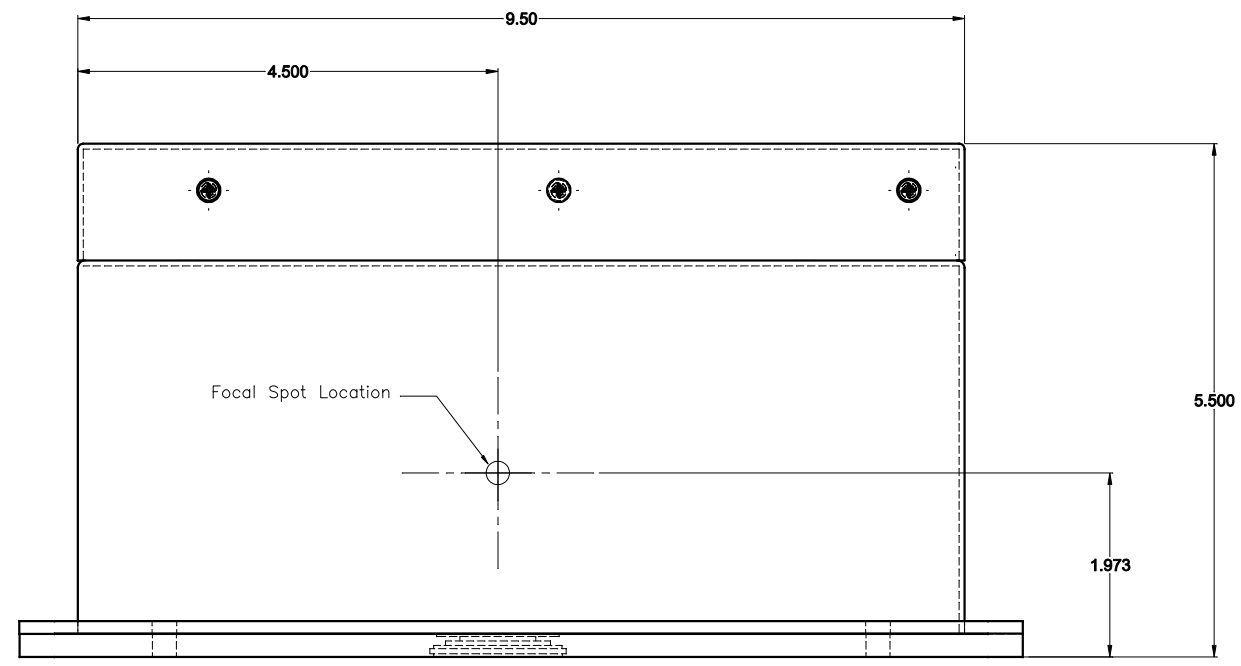
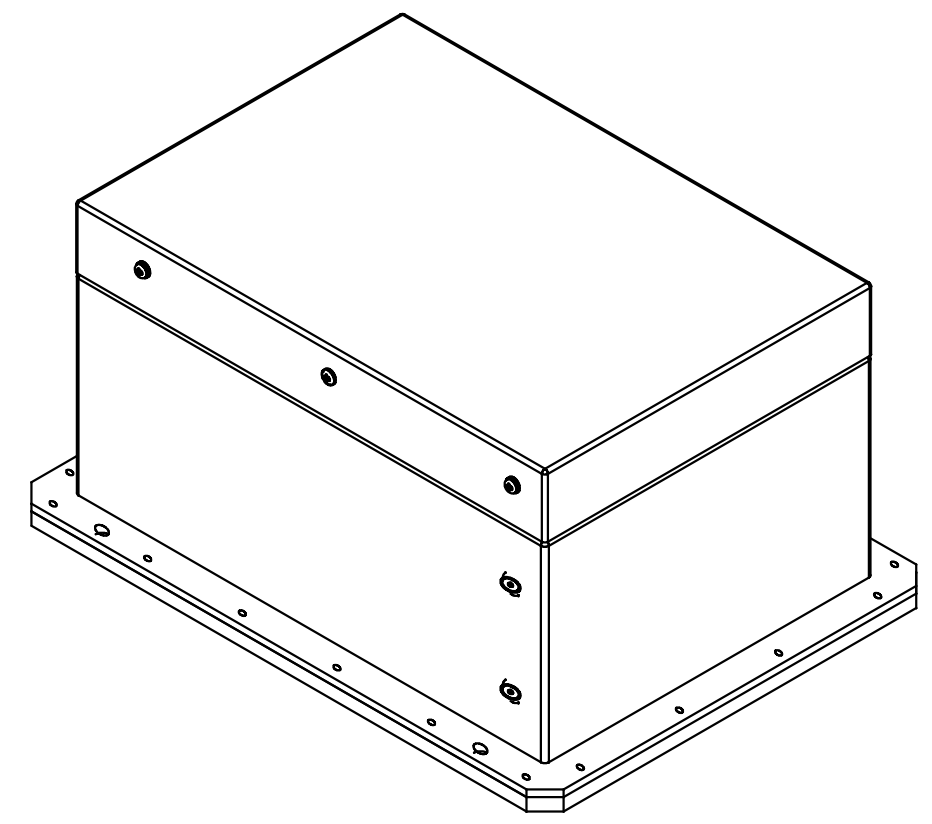
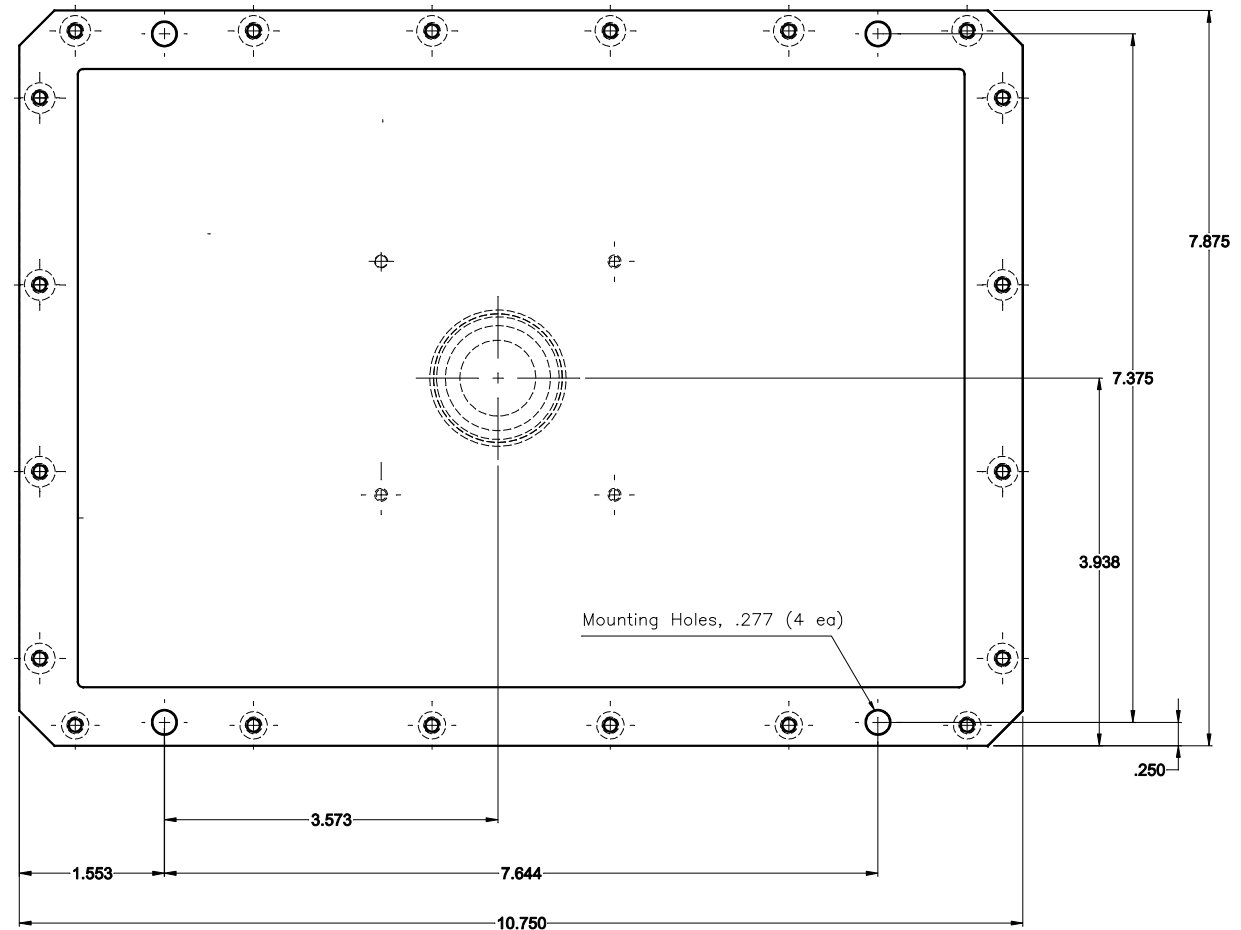


REVISIONS			
ZONE REV.	DESCRIPTION	DATE	CHECKED
-	NEW RELEASE		



DISCLAIMER:
 ALL INFORMATION CONTAINED IN THIS DRAWING IS SUBJECT TO CHANGE WITHOUT NOTICE. SPECIFICATIONS, DIMENSIONS, ETC., WERE DEEMED TO BE ACCURATE AT THE DATE OF PUBLICATION. CONTACT SOURCE-RAY INC. FOR THE LATEST INFORMATION.

REMOVE ALL BURRS AND SHARP EDGES
 PROPRIETARY NOTE
 THIS DRAWING WITH SPECIFICATIONS CONTAINS PROPRIETARY INFORMATION AND IS THE PROPERTY OF SOURCE-RAY INC. IT SHALL NOT BE REPRODUCED OR COPIED IN ANY MANNER, EXCEPT UNDER CONTRACT OR AUTHORIZATION FROM SOURCE-RAY INC.

UNLESS OTHERWISE SPECIFIED DIMENSIONS ARE IN INCHES TOLERANCES ARE: FRACTIONS DECIMALS ANGLES # 1/64 .001 # 30'		MATERIAL:	
FINISH:	MECH. ENG.:	DATE: 9.06.02	TITLE: Outline System (MODEL, SB-120-250)
RELEASED:	ELECT. ENG.:	CHECKED BY: S. B. B. B.	187 KEYLAND COURT BOHEMIA, NEW YORK, 11716-2821
SCALE: NTS	NO. RECD: 1	DO NOT SCALE DRAWING	1 of 1

200203