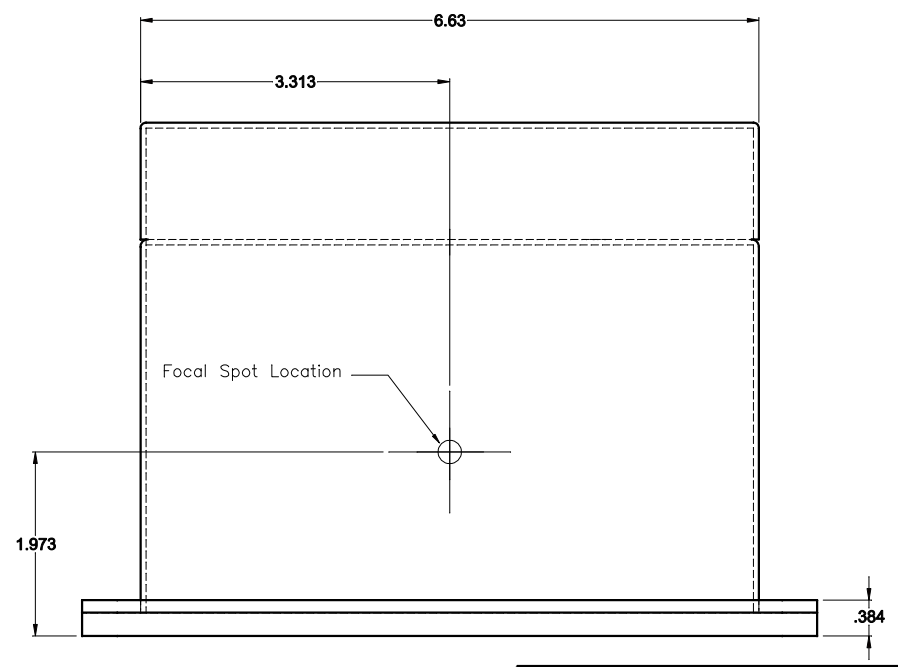
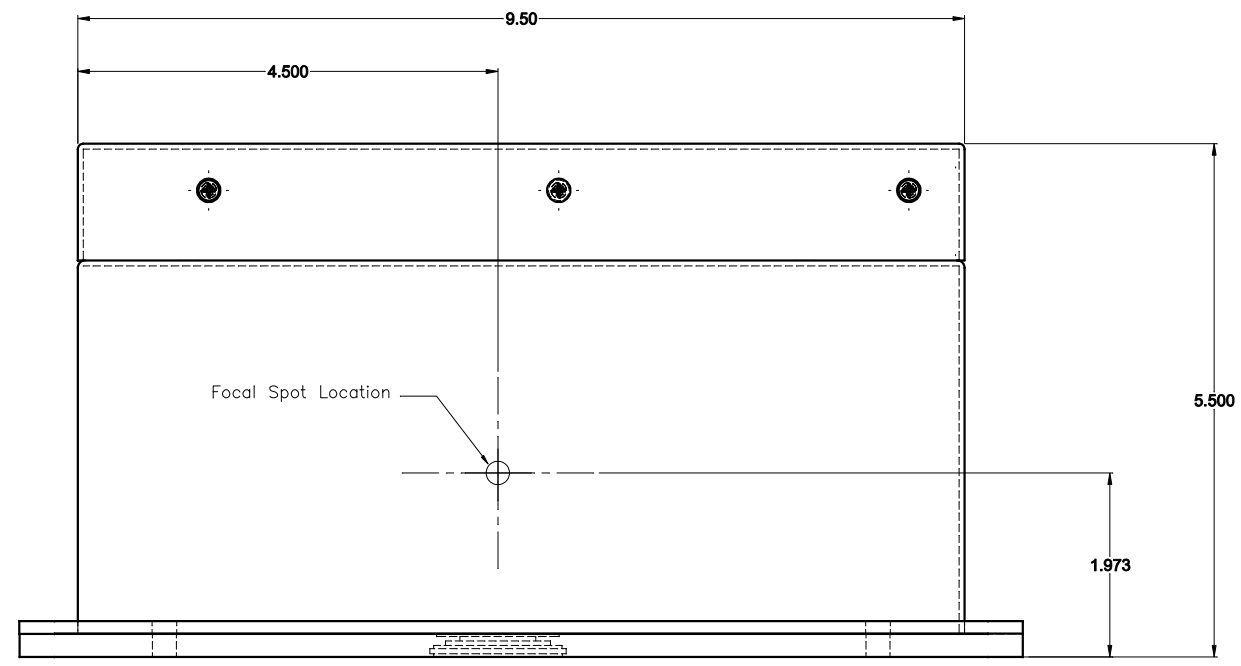
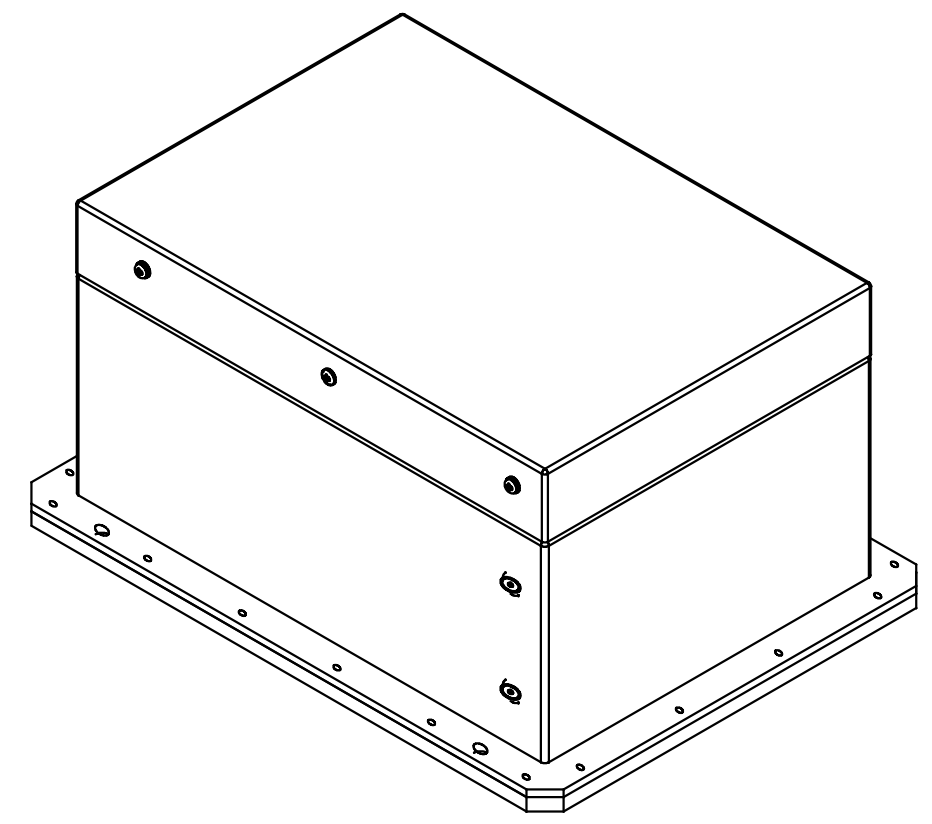
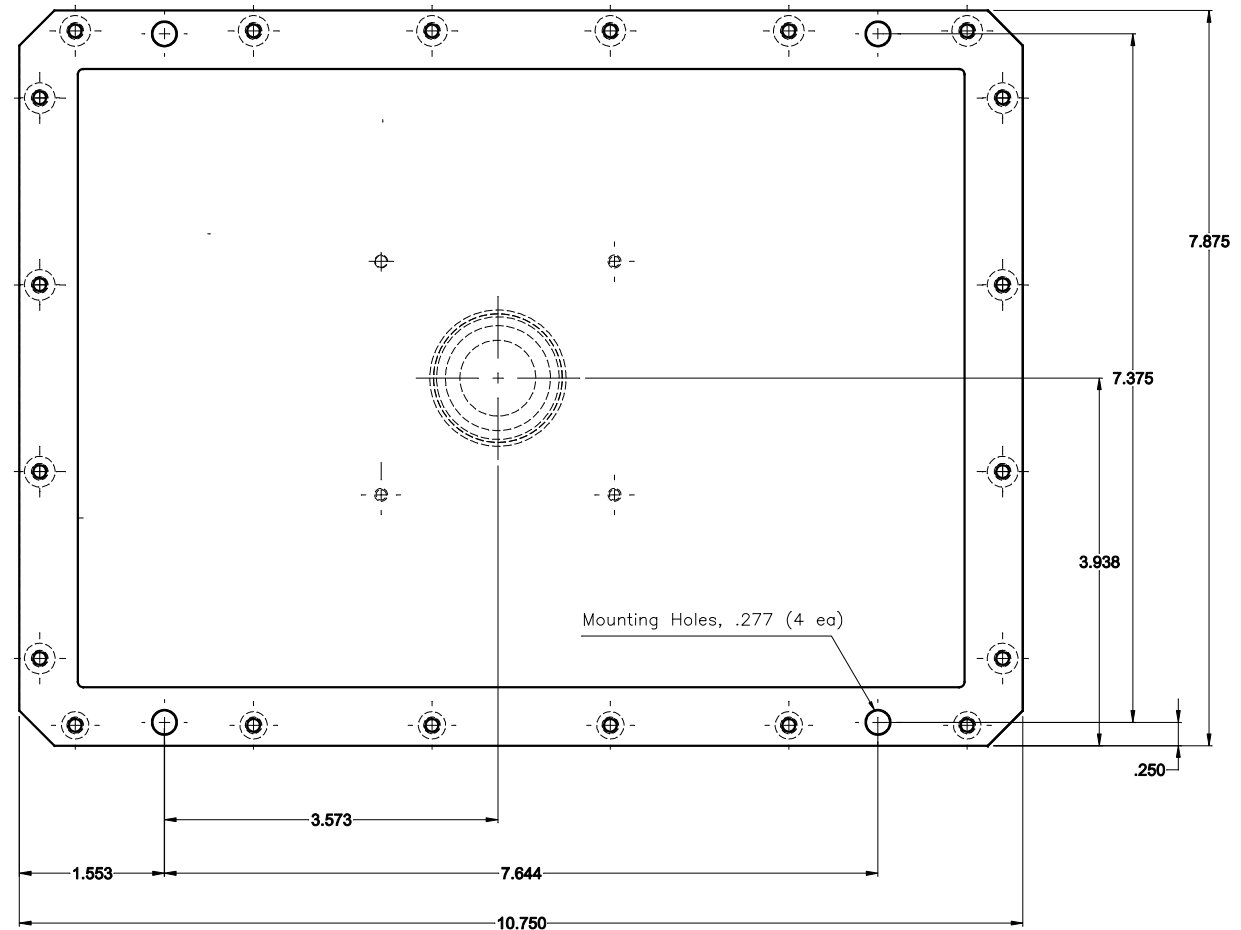


REVISIONS			
ZONE REV.	DESCRIPTION	DATE	CHECKED
-	NEW RELEASE		



**DISCLAIMER:**  
 ALL INFORMATION CONTAINED IN THIS DRAWING IS SUBJECT TO CHANGE WITHOUT NOTICE. SPECIFICATIONS, DIMENSIONS, ETC... WERE DEEMED TO BE ACCURATE AT THE DATE OF PUBLICATION. CONTACT SOURCE-RAY INC. FOR THE LATEST INFORMATION.

**REMOVE ALL BURRS AND SHARP EDGES**  
 PROPRIETARY NOTE  
 THIS DRAWING WITH SPECIFICATIONS CONTAINS PROPRIETARY INFORMATION AND IS THE PROPERTY OF SOURCE-RAY INC. IT SHALL NOT BE REPRODUCED OR COPIED IN ANY MANNER, EXCEPT UNDER CONTRACT OR AUTHORIZATION FROM SOURCE-RAY INC.

UNLESS OTHERWISE SPECIFIED DIMENSIONS ARE IN INCHES TOLERANCES ARE: FRACTIONS DECIMALS ANGLES # 1/64 .XX # .01 # 30' XXX# .005		MATERIAL:		DATE: 9.06.02	
DRAWN BY: S. Bhatnagar		CHECKED BY:		TITLE: Layout, SB-120-400	
MECH. ENG:		ELECT. ENG:		SCALE: 1:1	
RELEASED:		NO. RECD: 1		DO NOT SCALE DRAWING	
NEXT ASSY: USED ON:		DRAWING NO. 102		REV. 4	
		SCALE: 1:1		SHEET 1 of 1	

**Source-Ray Inc.**  
 187 KEYLAND COURT BOHEMA, NEW YORK, 11716-2821