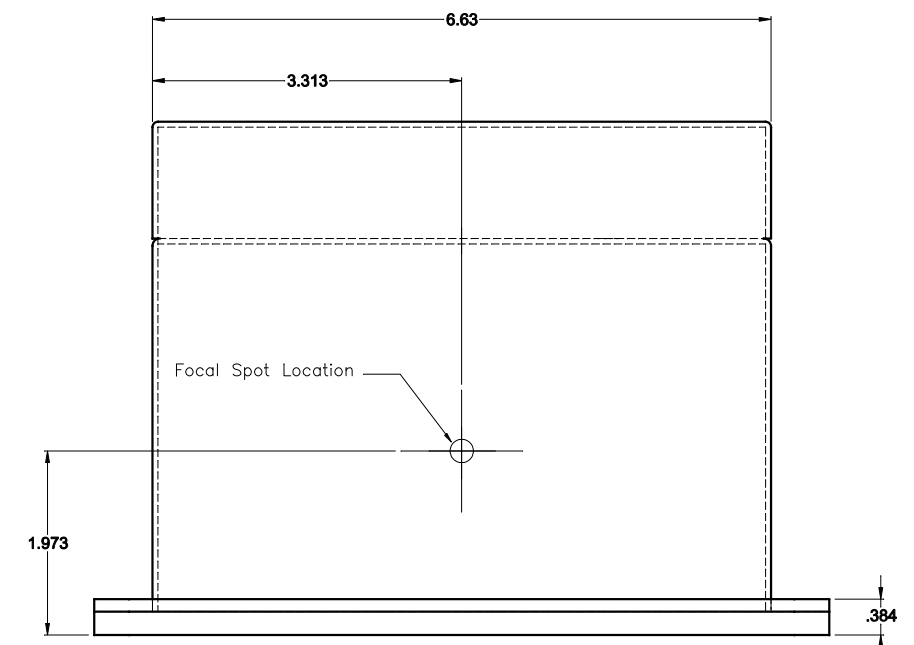
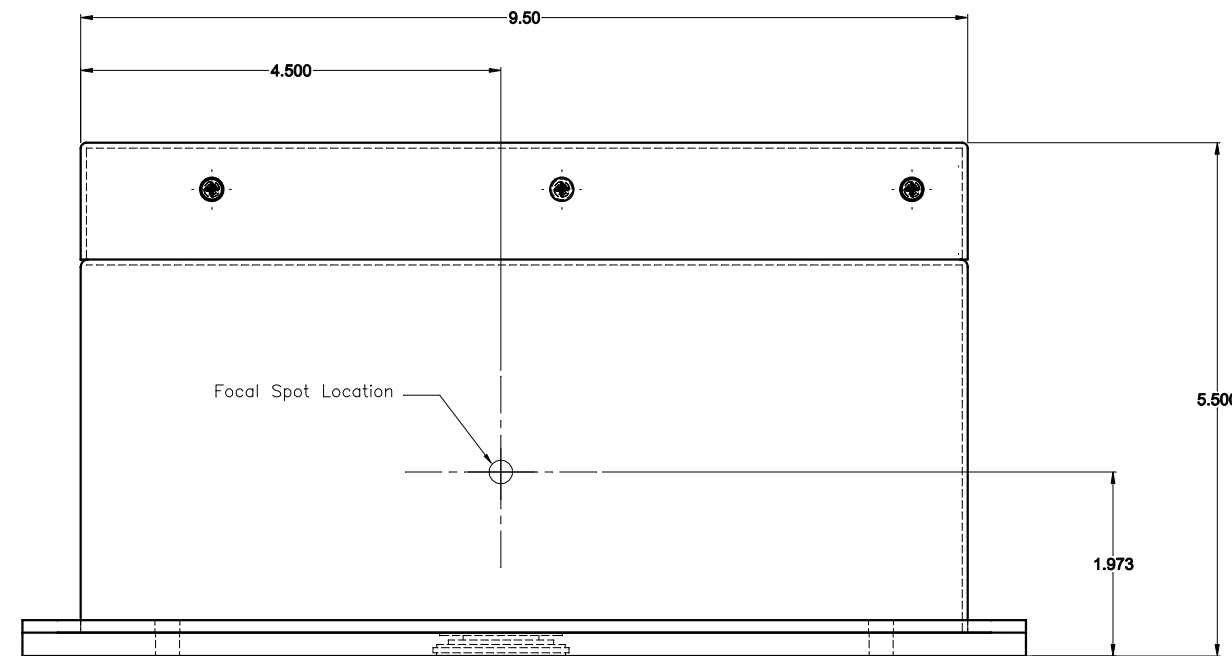
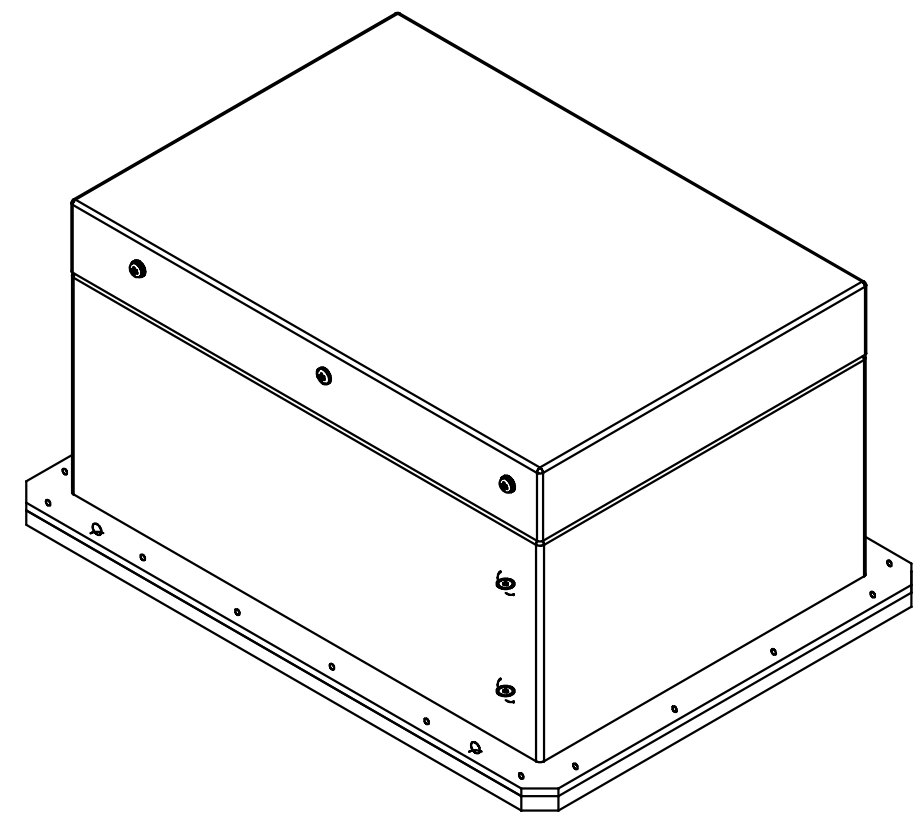
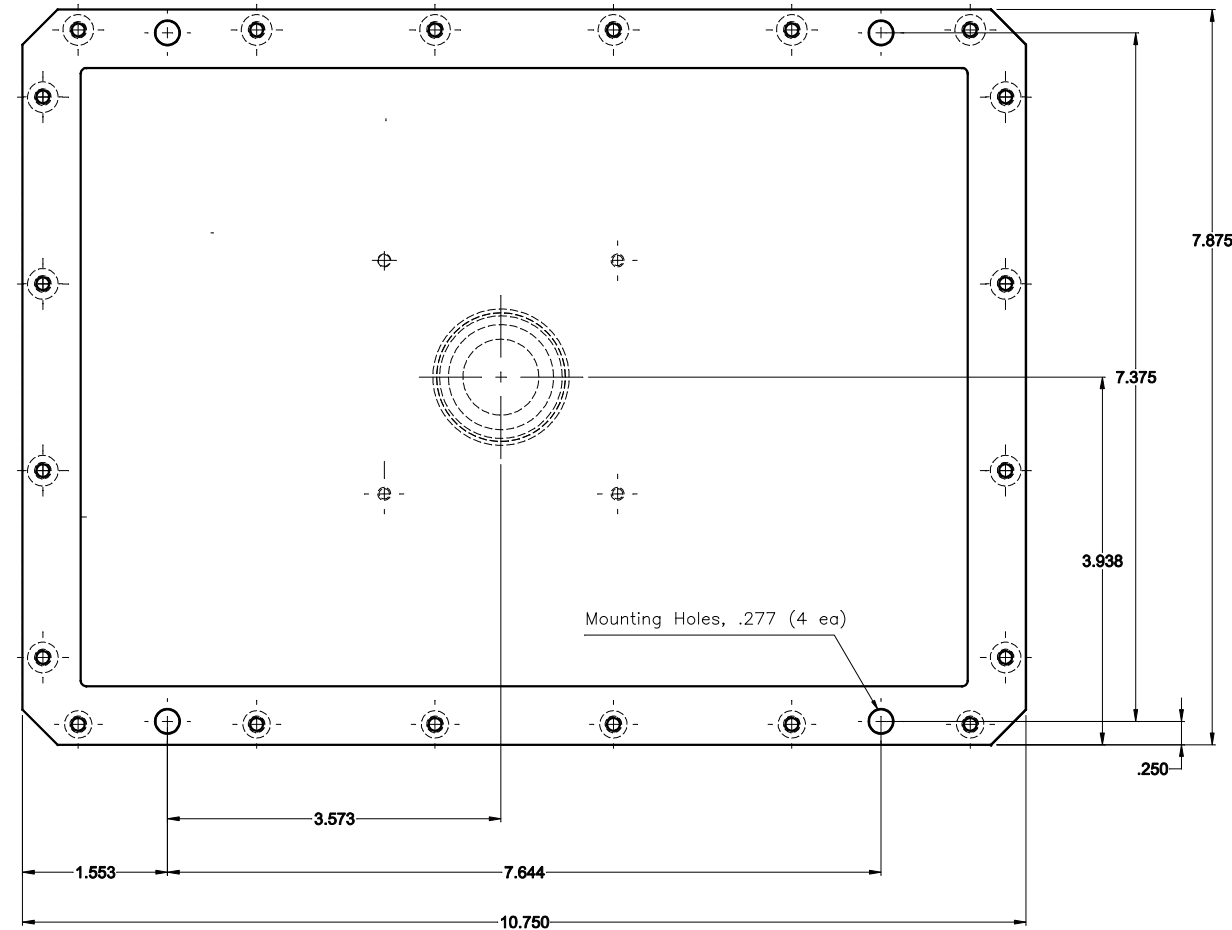


REVISIONS			
ZONE REV.	DESCRIPTION	DATE	CHECKED
-	NEW RELEASE		



DISCLAIMER:
 ALL INFORMATION CONTAINED IN THIS DRAWING IS SUBJECT TO CHANGE WITHOUT NOTICE. SPECIFICATIONS, DIMENSIONS, ETC... WERE DEEMED TO BE ACCURATE AT THE DATE OF PUBLICATION. CONTACT SOURCE-RAY INC. FOR THE LATEST INFORMATION.

REMOVE ALL BURRS AND SHARP EDGES
 PROPRIETARY NOTE
 THIS DRAWING WITH SPECIFICATIONS CONTAINS PROPRIETARY INFORMATION AND IS THE PROPERTY OF SOURCE-RAY INC. IT SHALL NOT BE REPRODUCED OR COPIED IN ANY MANNER, EXCEPT UNDER CONTRACT OR AUTHORIZATION FROM SOURCE-RAY INC.

UNLESS OTHERWISE SPECIFIED DIMENSIONS ARE IN INCHES TOLERANCES ARE: FRACTIONS DECIMALS ANGLES # 1/64 .001 ±30'		MATERIAL:	
FINISH:	DATE: 9.06.02	DRAWN BY: S. Bhatnagar	
MECH. ENG.:	CHECKED BY:	TITLE: Layout, SB-120-400	
ELECT. ENG.:	RELEASED:	SIZE: D	DRAWING NO.: 102
SCALE: 1:1	NO. RECD: 1	DO NOT SCALE DRAWING	REV: 4
NEXT ASSY:	USED ON:	1 of 1	

Source-Ray Inc.
 187 KEYLAND COURT BOHEMA, NEW YORK, 11716-2821