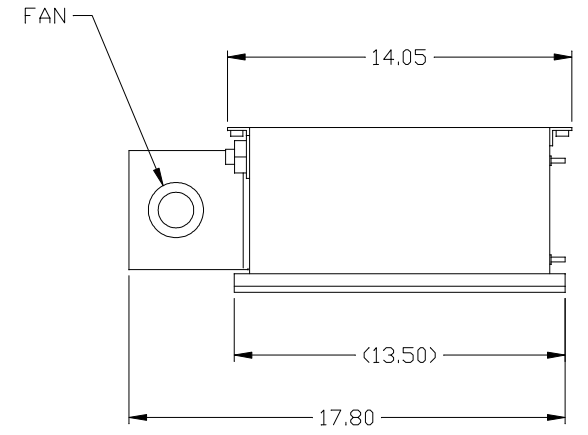
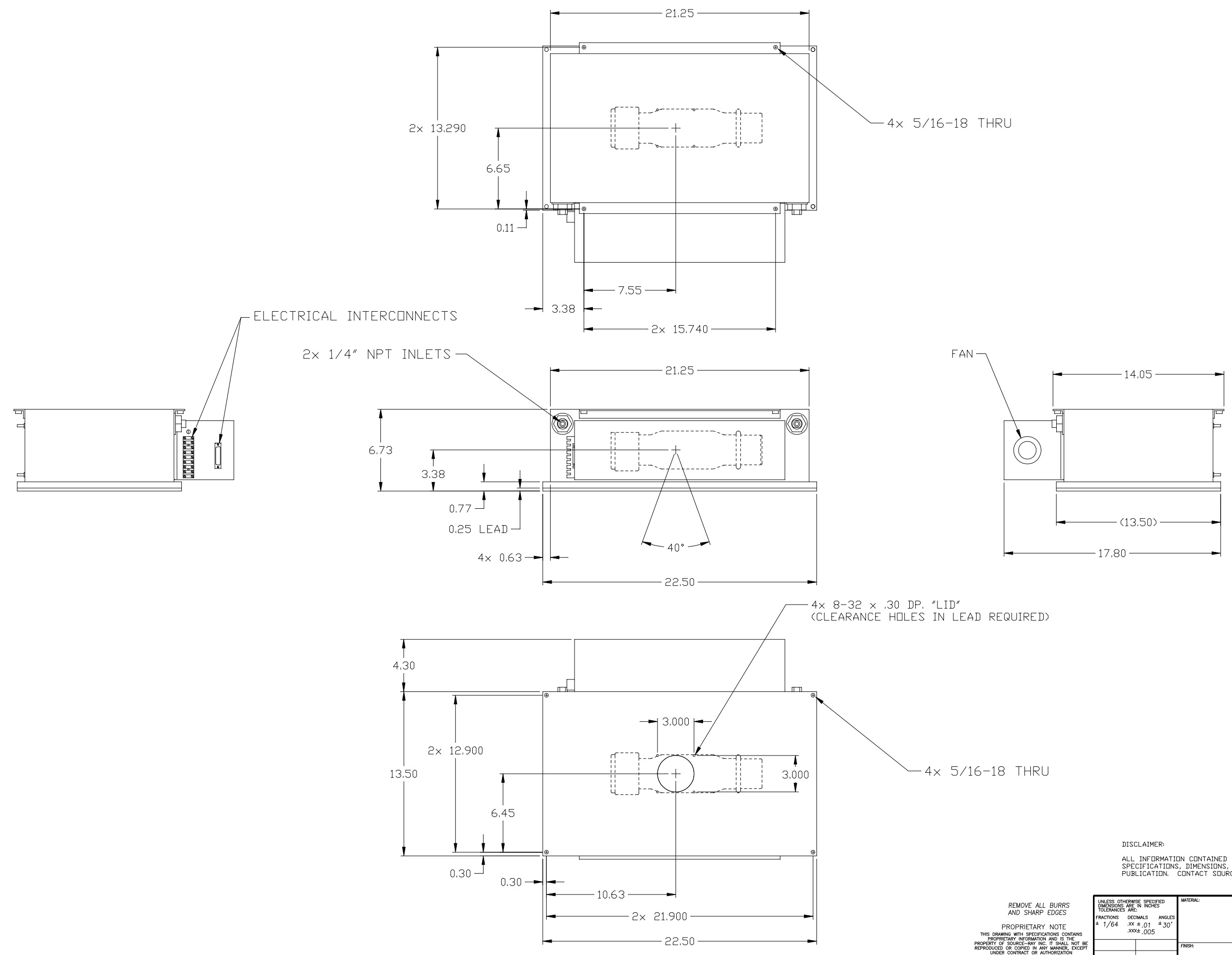


REVISIONS				
ZONE	REV.	DESCRIPTION	DATE	CHECKED
-	-	NEW RELEASE		



DISCLAIMER:
 ALL INFORMATION CONTAINED IN THIS DRAWING IS SUBJECT TO CHANGE WITHOUT NOTICE. SPECIFICATIONS, DIMENSIONS, ETC., WERE DEEMED TO BE ACCURATE AT THE DATE OF PUBLICATION. CONTACT SOURCE-RAY INC. FOR THE LATEST INFORMATION.

REMOVE ALL BURRS AND SHARP EDGES
 PROPRIETARY NOTE
 THIS DRAWING WITH SPECIFICATIONS CONTAINS PROPRIETARY INFORMATION AND IS THE PROPERTY OF SOURCE-RAY INC. IT SHALL NOT BE REPRODUCED OR COPIED IN ANY MANNER, EXCEPT UNDER CONTRACT OR AUTHORIZATION FROM SOURCE-RAY INC.

UNLESS OTHERWISE SPECIFIED DIMENSIONS ARE IN INCHES TOLERANCES ARE:		MATERIAL:	
FRACTIONS * 1/64	DECIMALS .XX ± .01 .XXX ± .005	ANGLES * 30°	
DRAWN BY: C.R.	DATE 3/31/04	TITLE 167 KEYLAND COURT BOHEMIA, NEW YORK, 11716-2621 OUTLINE DRAWING SB-250-3K	
CHECKED BY:		FINISH:	
MECH. ENG.:		SIZE D	DRAWING NO. 1
ELECT. ENG.:		SCALE 1:4	NO. REV'D 1
RELEASED:		DO NOT SCALE DRAWING	SHEET 1 of 1
NEXT ASSY	USED ON		