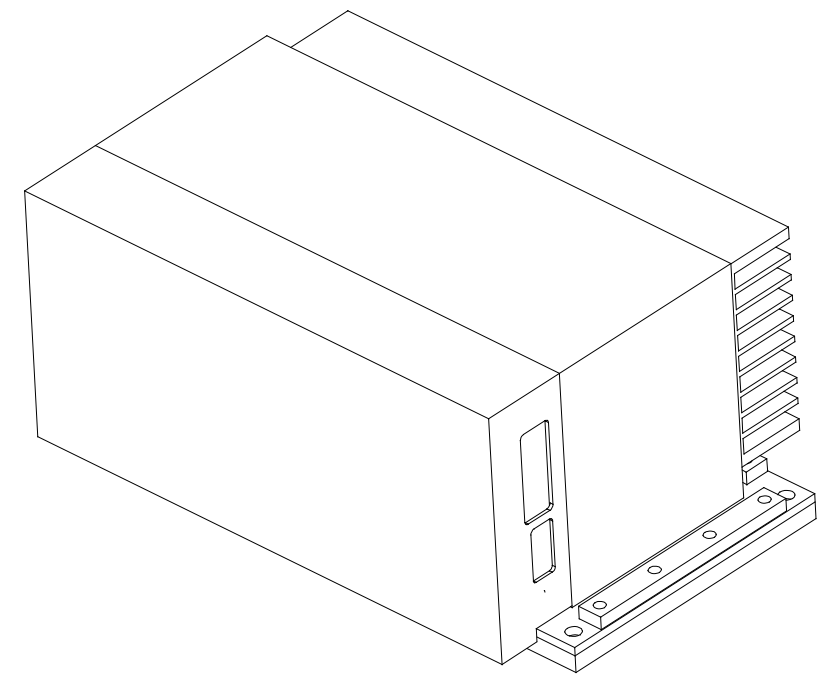
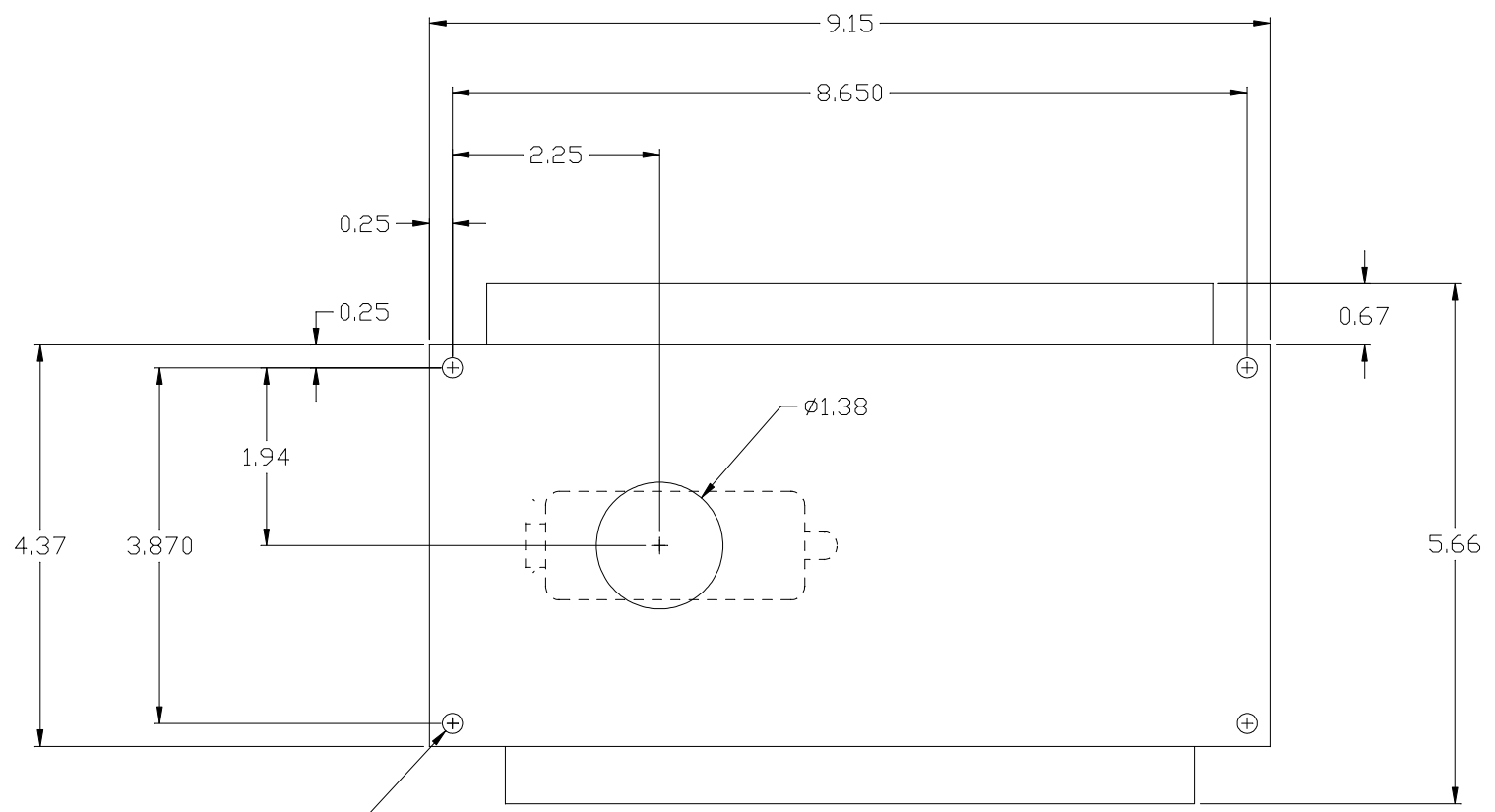
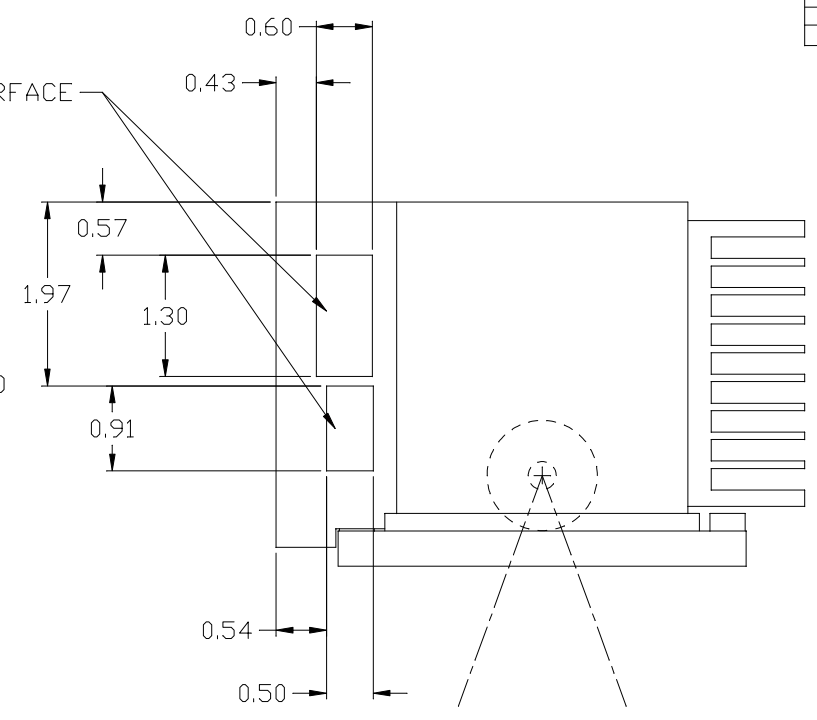
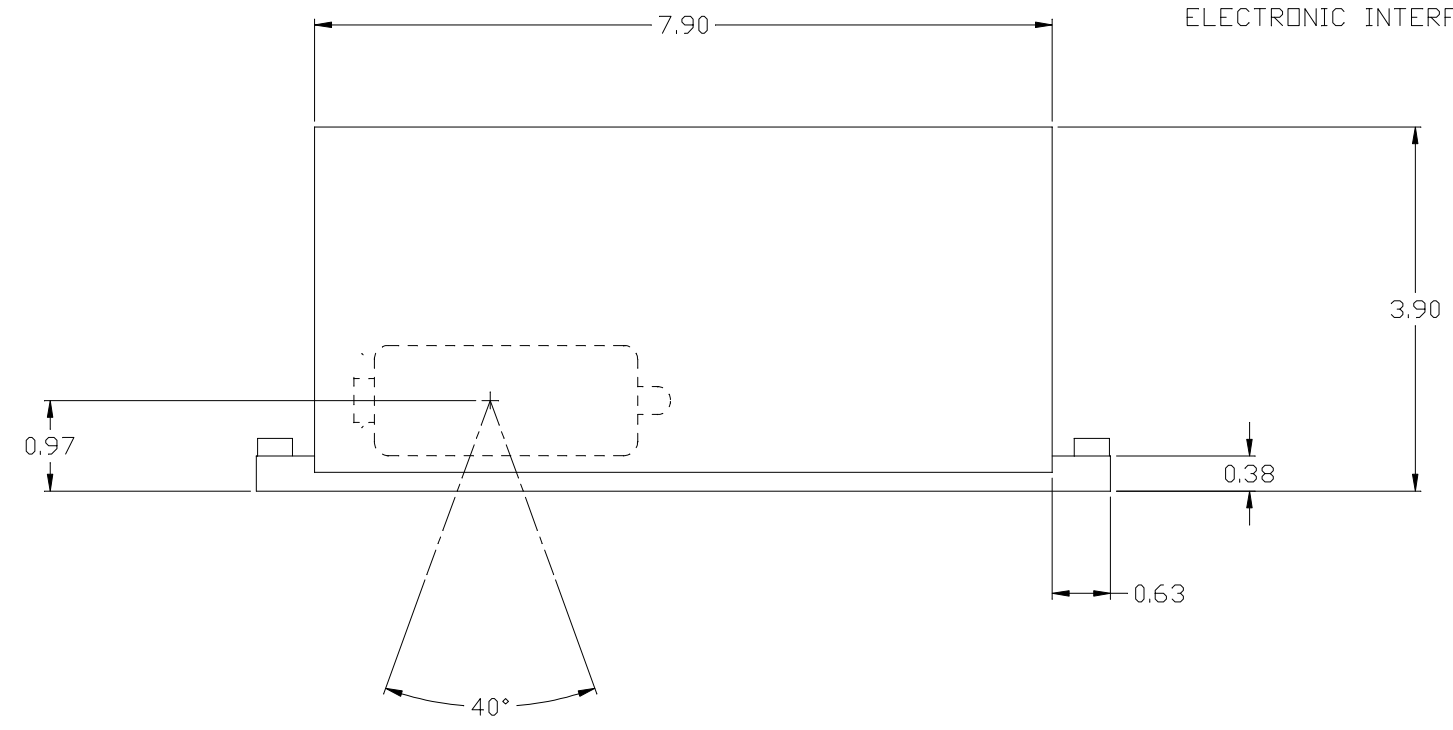


ZONE		REV.	DESCRIPTION	DATE	CHECKED
		-	NEW RELEASE		
1		1	RELOCATED (2) SLOTS	2/14/03	



DISCLAIMER:  
ALL INFORMATION CONTAINED IN THIS DRAWING IS SUBJECT TO CHANGE WITHOUT NOTICE. SPECIFICATIONS, DIMENSIONS, ETC., WERE DEEMED TO BE ACCURATE AT THE DATE OF PUBLICATION. FOR THE LATEST INFORMATION, CONTACT SOURCE-RAY INC.

REMOVE ALL BURRS AND SHARP EDGES

PROPRIETARY NOTE  
THIS DRAWING WITH SPECIFICATIONS CONTAINS PROPRIETARY INFORMATION AND IS THE PROPERTY OF SOURCE-RAY INC. IT SHALL NOT BE REPRODUCED OR COPIED IN ANY MANNER, EXCEPT UNDER CONTRACT OR AUTHORIZATION FROM SOURCE-RAY INC.

UNLESS OTHERWISE SPECIFIED DIMENSIONS ARE IN INCHES TOLERANCES ARE:		MATERIAL:		DRAWN BY:		DATE:		TITLE:	
FRACTIONS	DECIMALS	ANGLES		G.R.	1-27-03	Outline, SourceBlock (Model SB-50-1K)			
# 1/64	.XX # .01	# 2'	(Model SB-50-1K)	CHECKED BY:		SIZE	DRAWING NO.	REV	
	.XXX# .005			MECH. ENG:		D		1	
				ELECT. ENG:		SCALE	NO. REV'D	DO NOT SCALE DRAWING	SHEET
				RELEASED:		1:1	T		1 of 1
NEXT ASSY	USED ON								

OR DRAWING

B

A