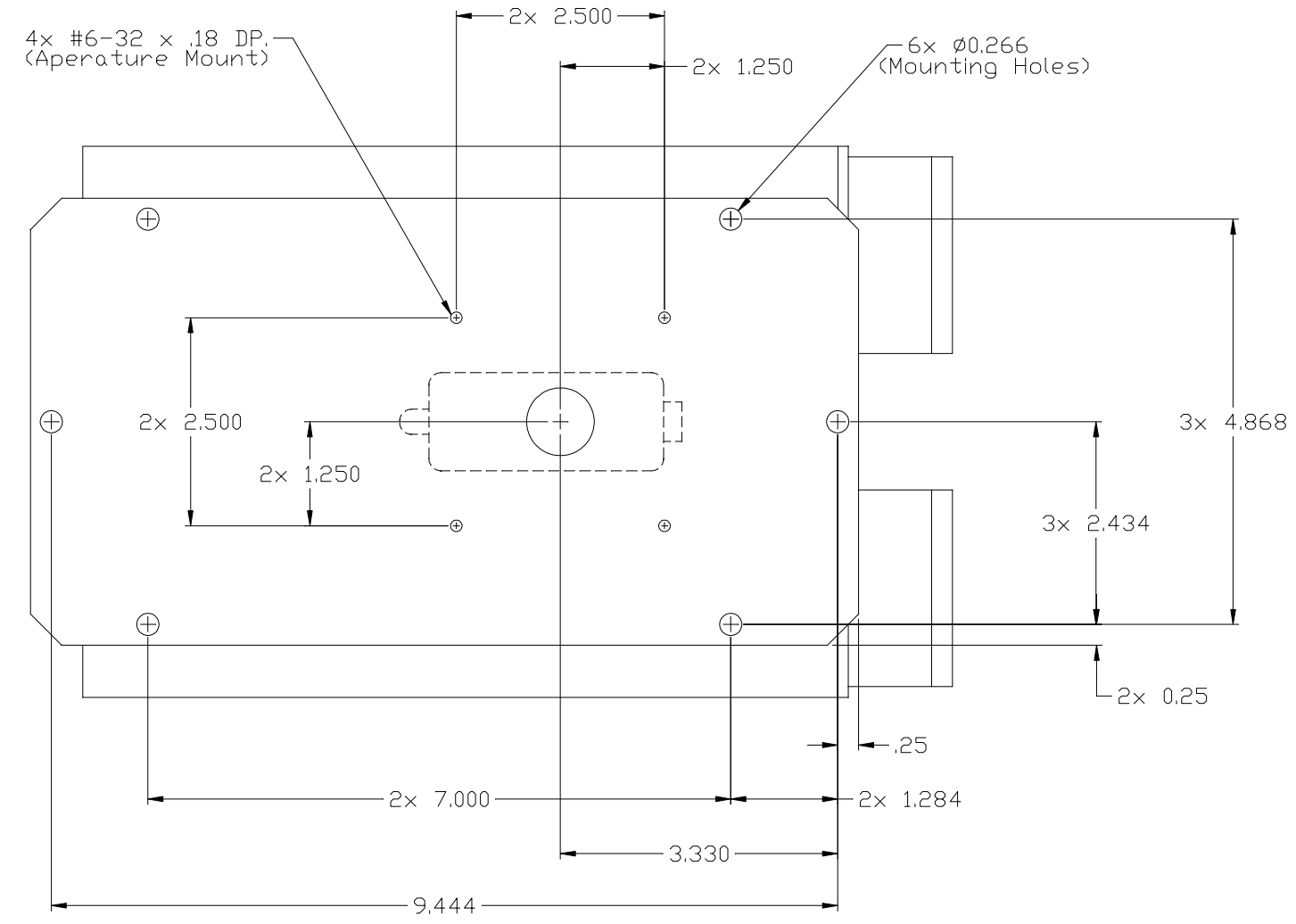
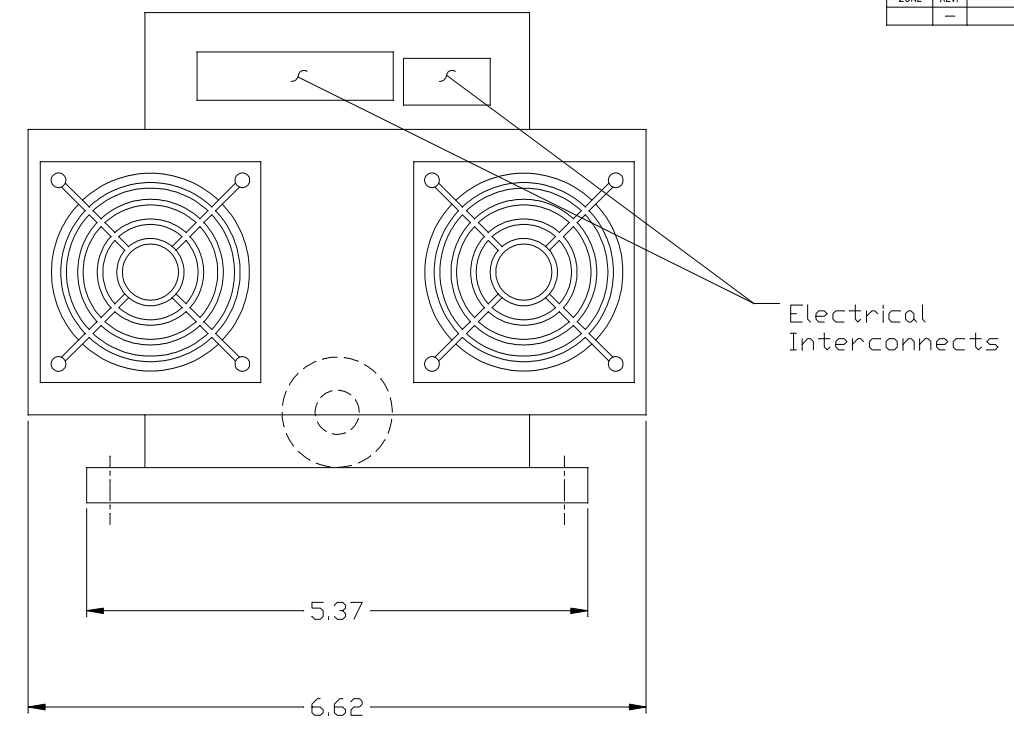
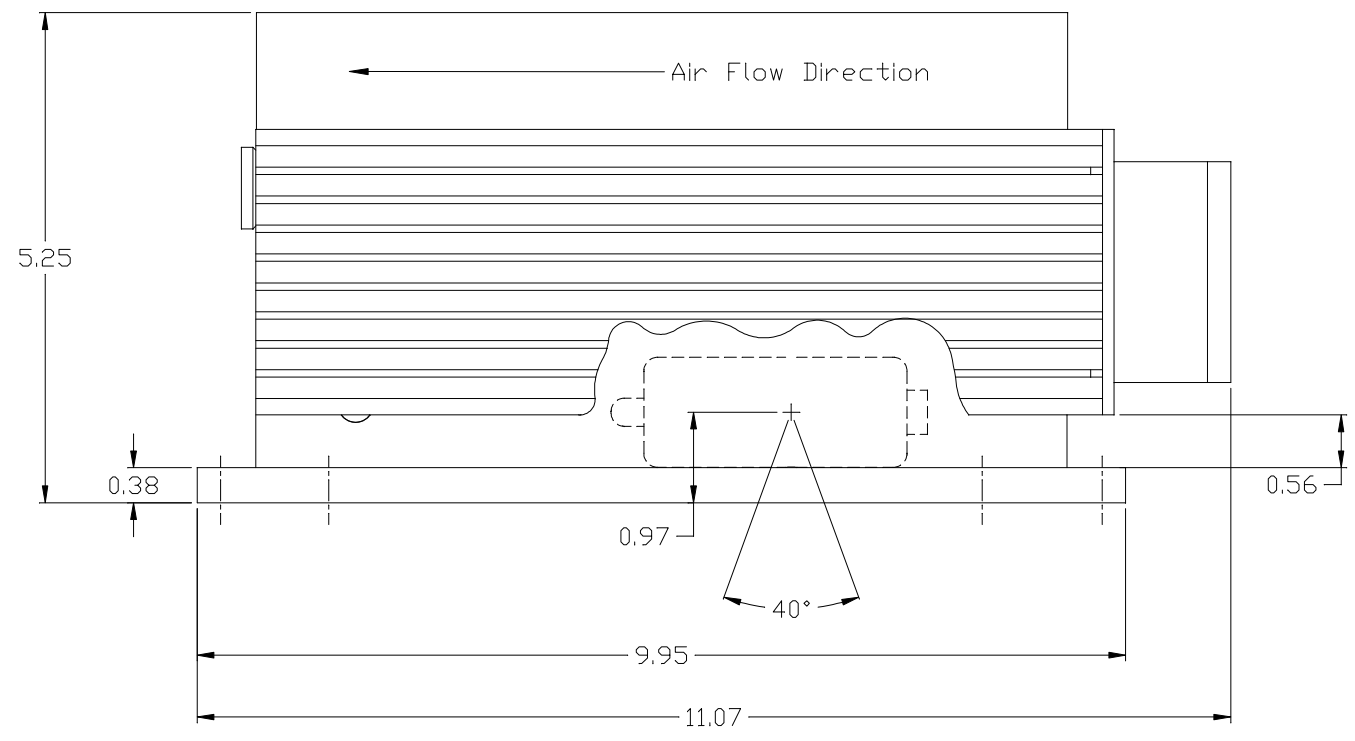


REVISIONS			
ZONE	REV.	DESCRIPTION	CHECKED
-	-	NEW RELEASE	



DISCLAIMER:  
ALL INFORMATION CONTAINED IN THIS DRAWING IS SUBJECT TO CHANGE WITHOUT NOTICE.  
SPECIFICATIONS, DIMENSIONS, ETC., WERE DEEMED TO BE ACCURATE AT THE DATE OF  
PUBLICATION. CONTACT SOURCE-RAY INC. FOR THE LATEST INFORMATION.

REMOVE ALL BURRS  
AND SHARP EDGES

PROPRIETARY NOTE  
THIS DRAWING WITH SPECIFICATIONS CONTAINS  
PROPRIETARY INFORMATION AND IS THE  
PROPERTY OF SOURCE-RAY INC. IT SHALL NOT BE  
REPRODUCED OR COPIED IN ANY MANNER, EXCEPT  
UNDER CONTRACT OR AUTHORIZATION  
FROM SOURCE-RAY INC.

UNLESS OTHERWISE SPECIFIED DIMENSIONS ARE IN INCHES TOLERANCES ARE:		MATERIAL:		Source-Ray Inc. 167 KEYLAND COURT BOHEMIA, NEW YORK, 11716-2621	
FRACTIONS	DECIMALS	ANGLES	DRAWN BY: M. Eder	DATE: 2/6/06	TITLE: Outline System (Model SB-70-1K)
# 1/64	.XX # .01	# 2'	CHECKED BY:		SIZE: D
	.XXX# .005		MECH. ENG.:		DRAWING NO. S0701K
			ELECT. ENG.:		REV. 1
			RELEASED:		SCALE NTS
NEXT ASSY	USED ON	FINISH:			NO. 8000
					DO NOT SCALE DRAWING
					SHEET 1 of 1