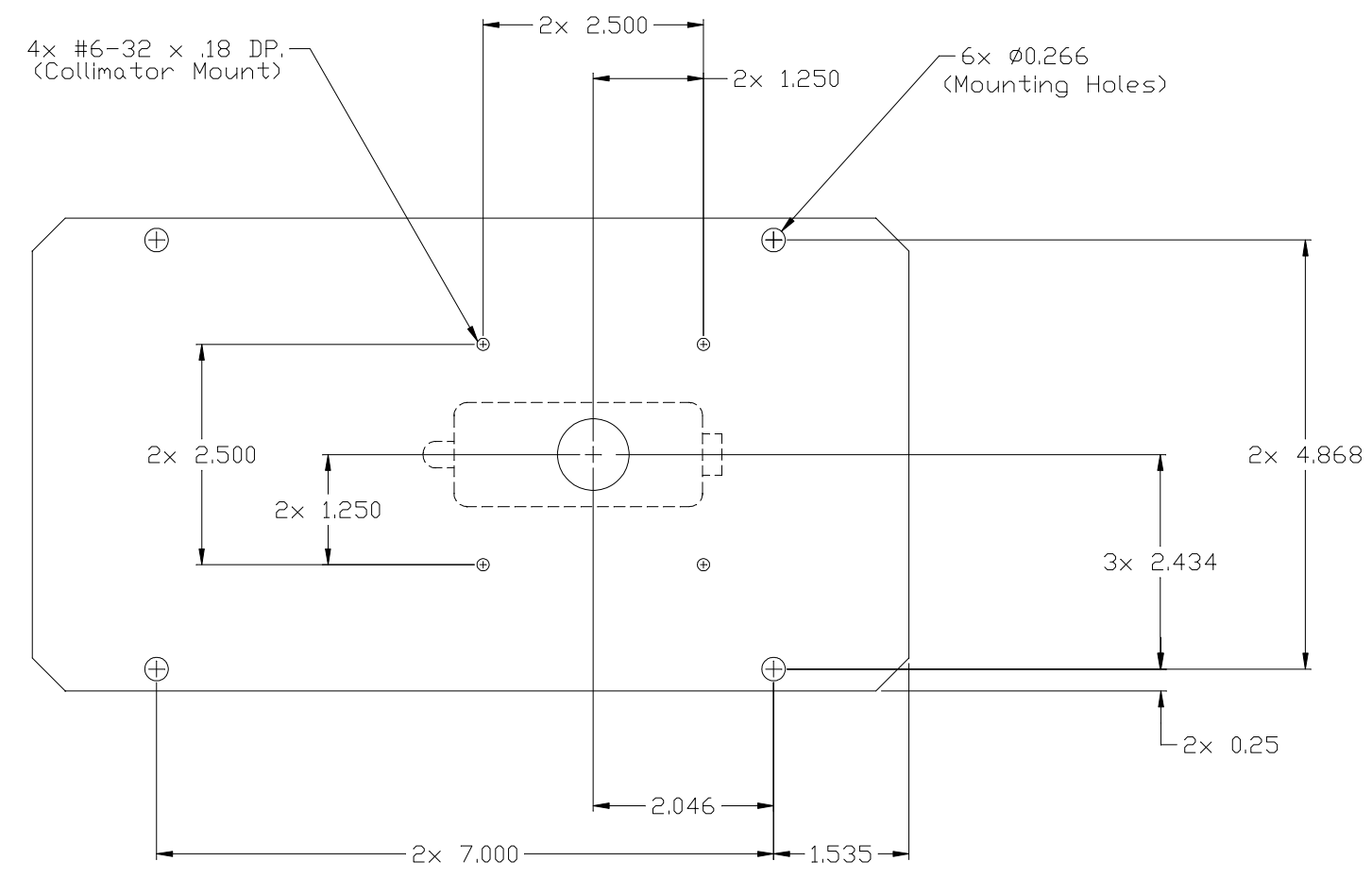
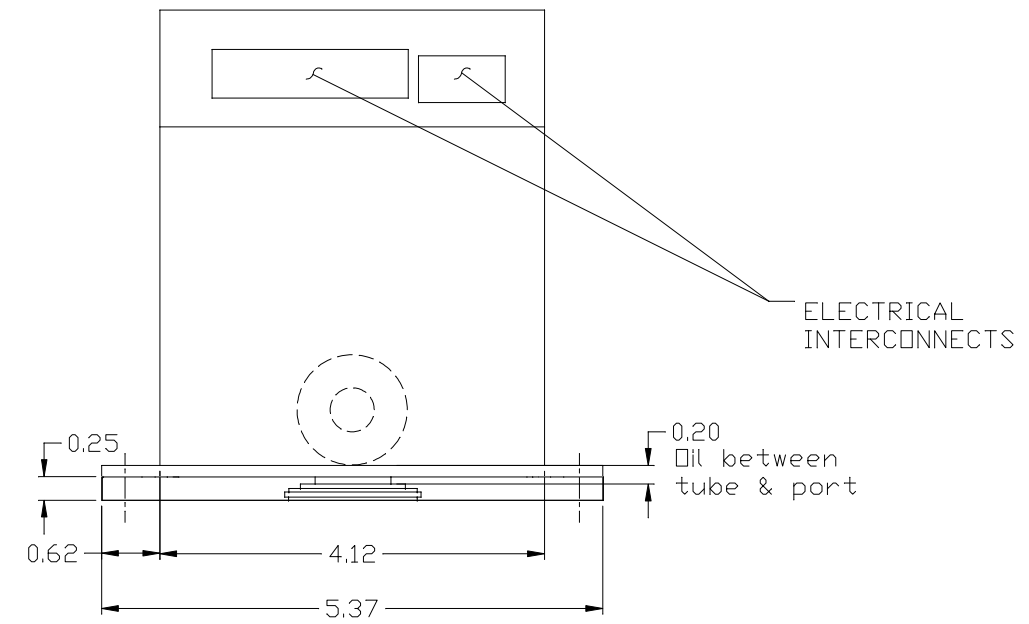
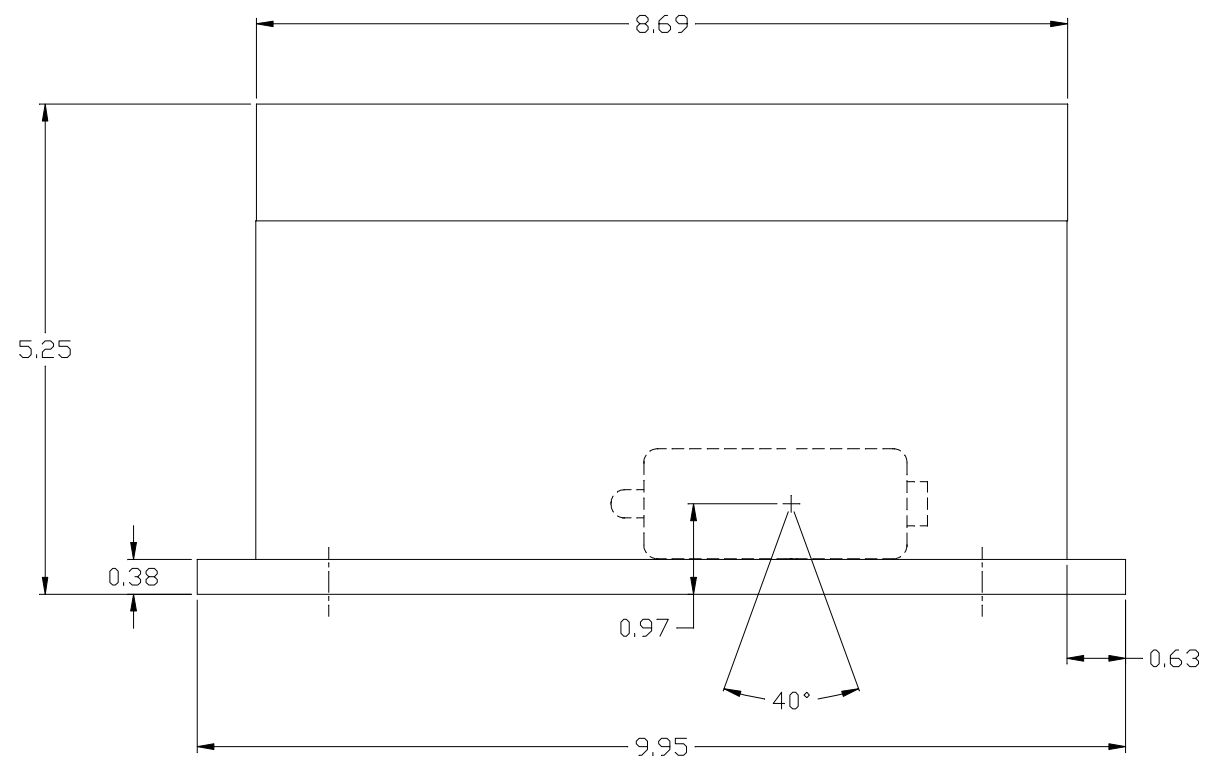


REVISIONS			
ZONE	REV.	DESCRIPTION	CHECKED
-	-	NEW RELEASE	



DISCLAIMER:  
ALL INFORMATION CONTAINED IN THIS DRAWING IS SUBJECT TO CHANGE WITHOUT NOTICE. SPECIFICATIONS, DIMENSIONS, ETC., WERE DEEMED TO BE ACCURATE AT THE DATE OF PUBLICATION. CONTACT SOURCE-RAY INC. FOR THE LATEST INFORMATION.

REMOVE ALL BURRS AND SHARP EDGES  
PROPRIETARY NOTE  
THIS DRAWING WITH SPECIFICATIONS CONTAINS PROPRIETARY INFORMATION AND IS THE PROPERTY OF SOURCE-RAY INC. IT SHALL NOT BE REPRODUCED OR COPIED IN ANY MANNER, EXCEPT UNDER CONTRACT OR AUTHORIZATION FROM SOURCE-RAY INC.

UNLESS OTHERWISE SPECIFIED DIMENSIONS ARE IN INCHES TOLERANCES ARE: FRACTIONS DECIMALS ANGLES # 1/64 .XX # .01 # 2' XXX# .005		MATERIAL:		FINISH:	
DRAWN BY: M. Eder	DATE 2-6-06	TITLE Outline, System Model: SB-75-50		SCALE NTS	REV 1
CHECKED BY:		DRAWING NO.		NO. REV'D	SHEET
MECH. ENG:				DO NOT SCALE DRAWING	1 of 1
ELECT. ENG:					
RELEASED:					

**Source-Ray Inc.**  
167 KEYLAND COURT BOHEMIA, NEW YORK, 11716-2621