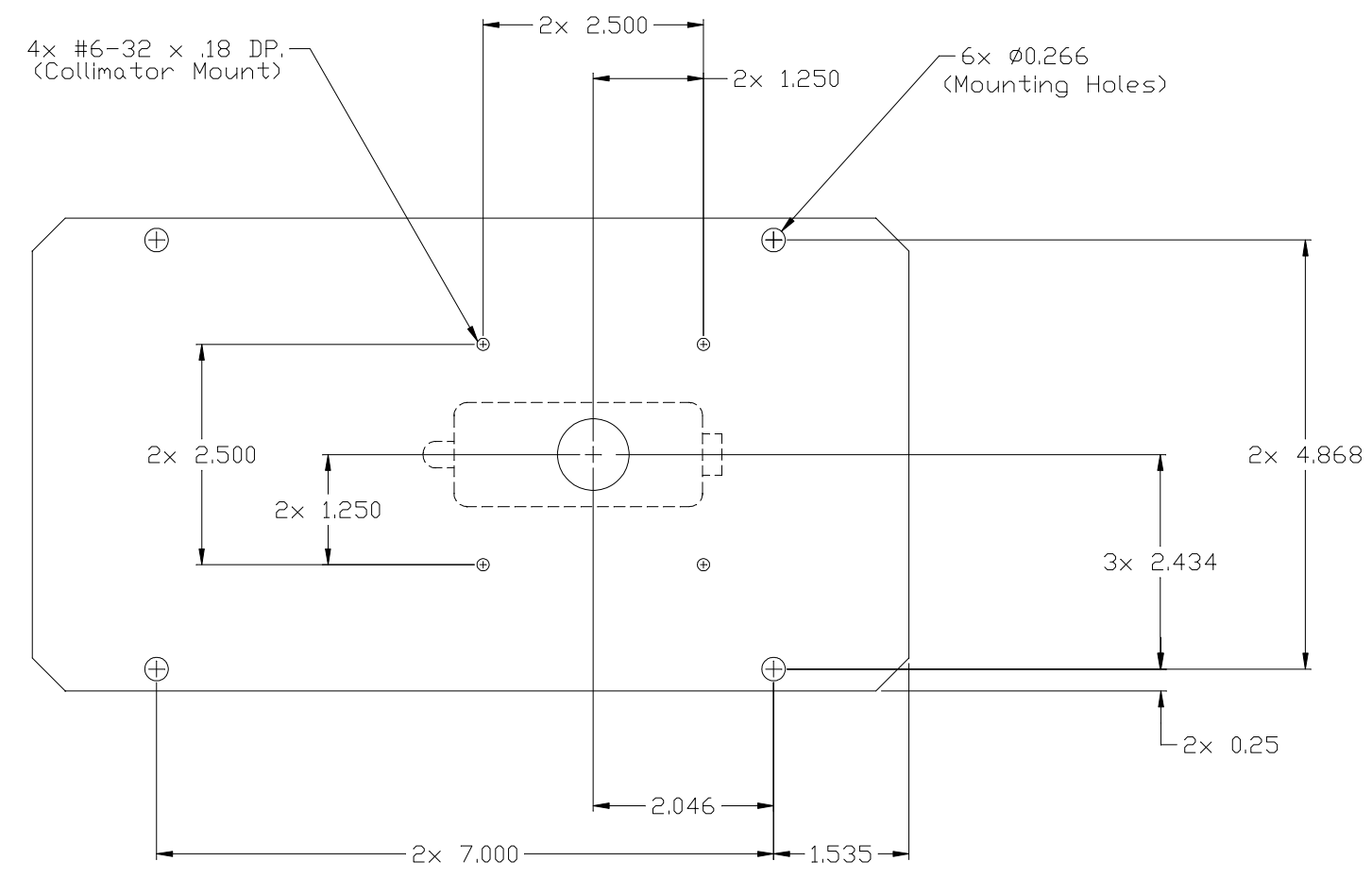
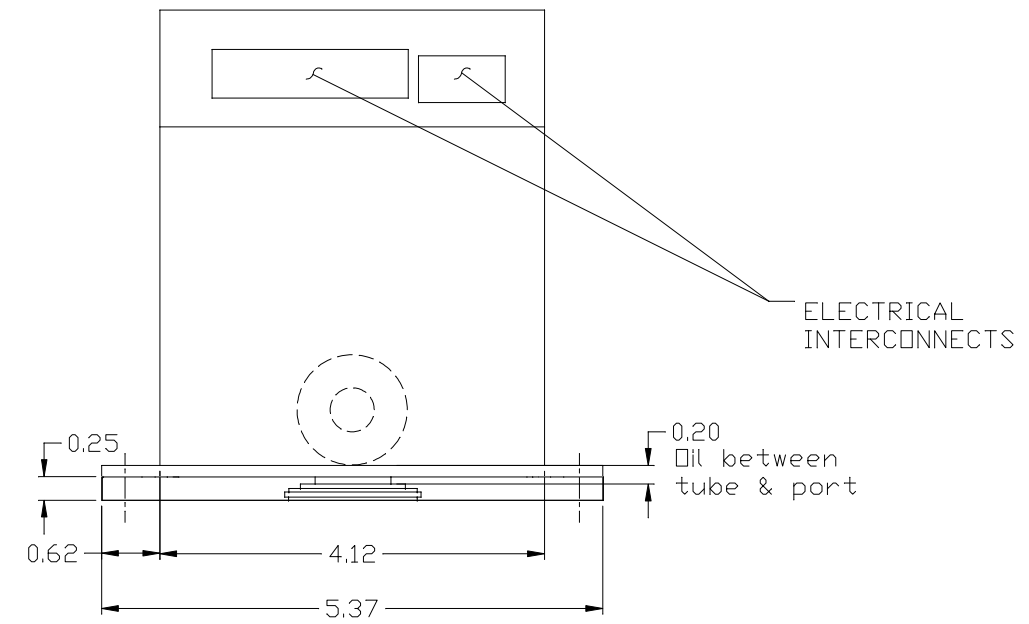
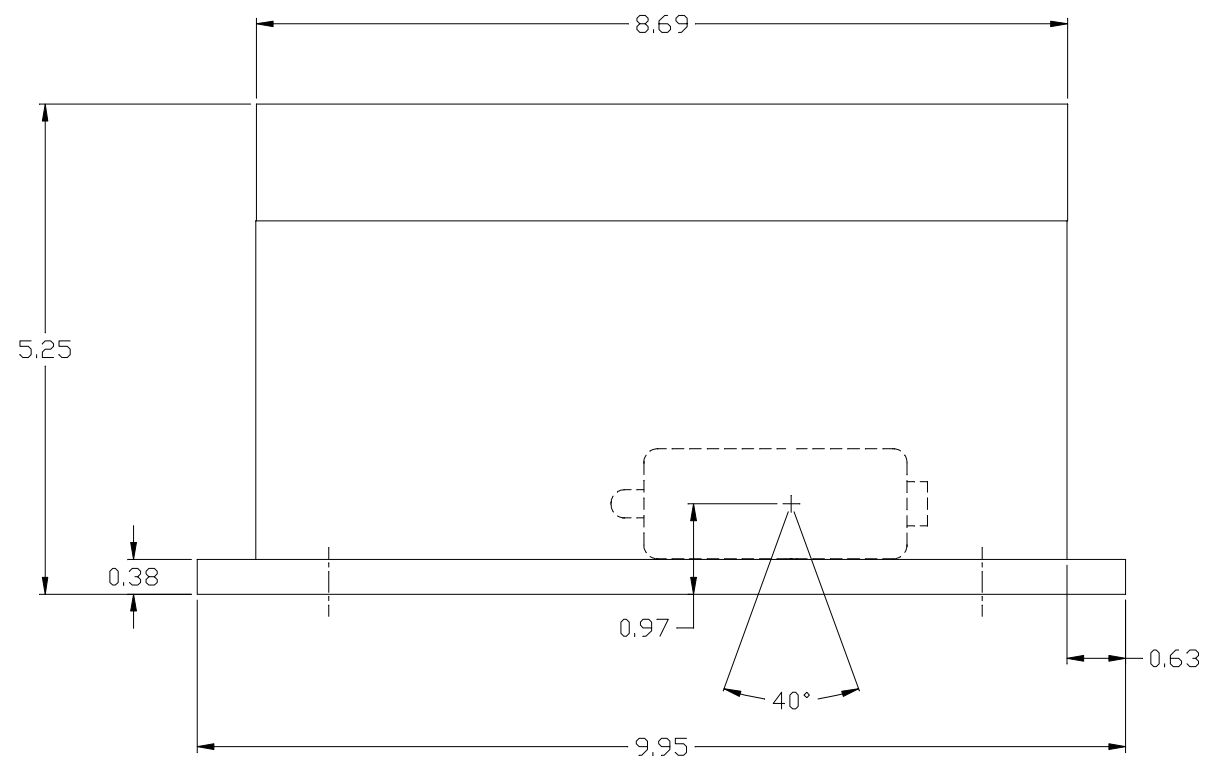


REVISIONS			
ZONE	REV.	DESCRIPTION	CHECKED
-	-	NEW RELEASE	



DISCLAIMER:
ALL INFORMATION CONTAINED IN THIS DRAWING IS SUBJECT TO CHANGE WITHOUT NOTICE. SPECIFICATIONS, DIMENSIONS, ETC., WERE DEEMED TO BE ACCURATE AT THE DATE OF PUBLICATION. CONTACT SOURCE-RAY INC. FOR THE LATEST INFORMATION.

REMOVE ALL BURRS AND SHARP EDGES
PROPRIETARY NOTE
THIS DRAWING WITH SPECIFICATIONS CONTAINS PROPRIETARY INFORMATION AND IS THE PROPERTY OF SOURCE-RAY INC. IT SHALL NOT BE REPRODUCED OR COPIED IN ANY MANNER, EXCEPT UNDER CONTRACT OR AUTHORIZATION FROM SOURCE-RAY INC.

UNLESS OTHERWISE SPECIFIED DIMENSIONS ARE IN INCHES		TOLERANCES ARE:		FRACTIONS		DECIMALS		ANGLES		MATERIAL:		FINISH:	
# 1/64		.XX ± .01		° 2'		.XXX ± .005							
NEXT ASSY		USED ON		DRAWN BY: M. Eder		DATE: 2-6-06		TITLE: Outline System Model: SB-75-50		167 KEYLAND COURT BOHEMIA, NEW YORK, 11716-2621		REV 1	
MECH. ENG:		ELECT. ENG:		RELEASED:		SCALE: NTS		NO. REV'D: T		DO NOT SCALE DRAWING		SHEET 1 of 1	

