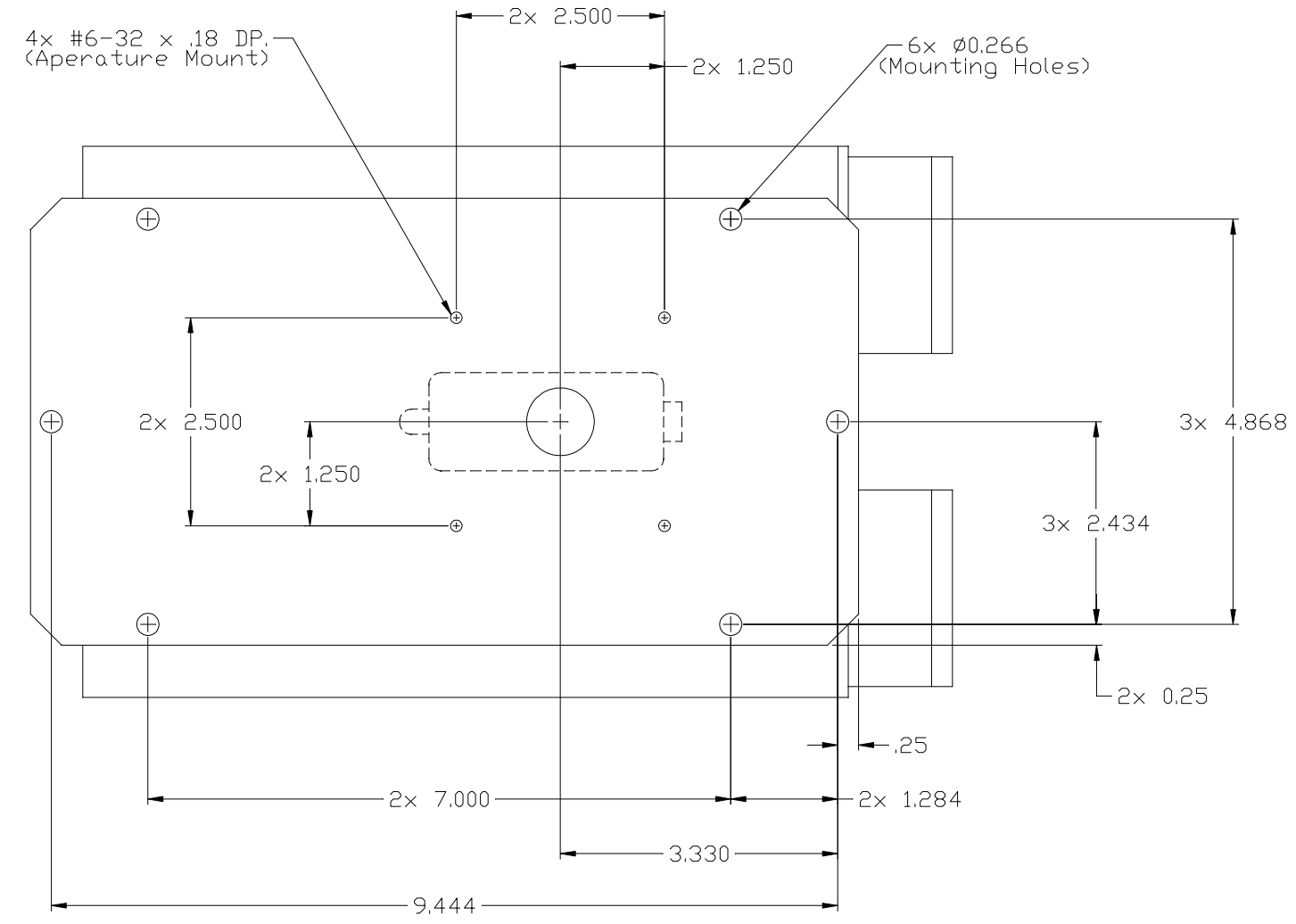
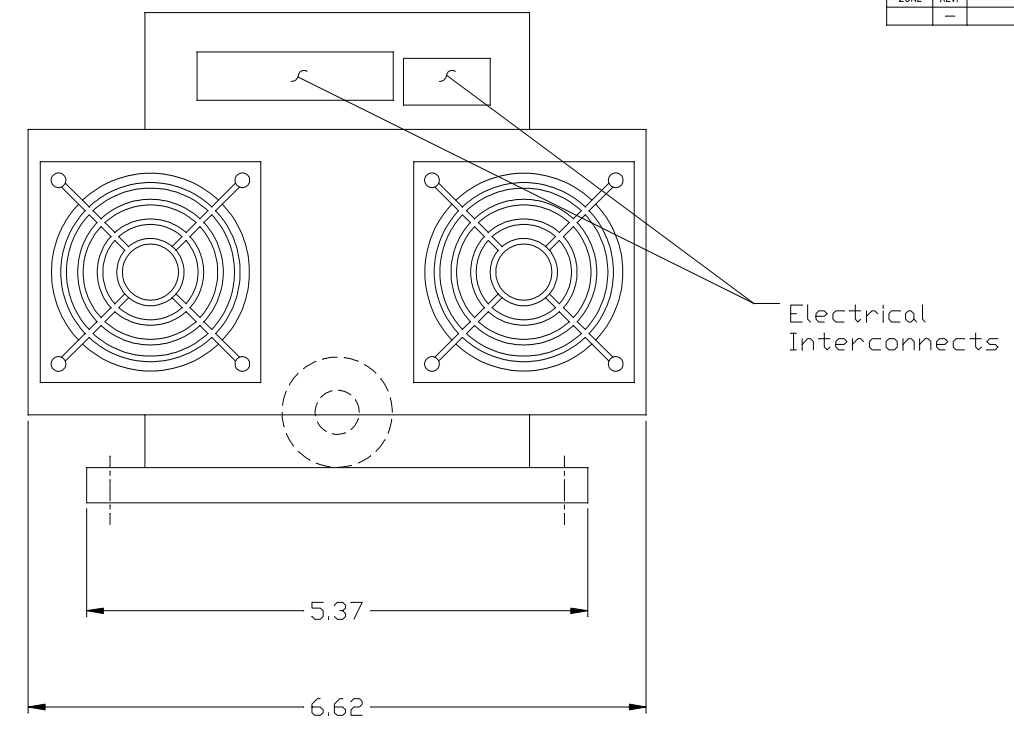
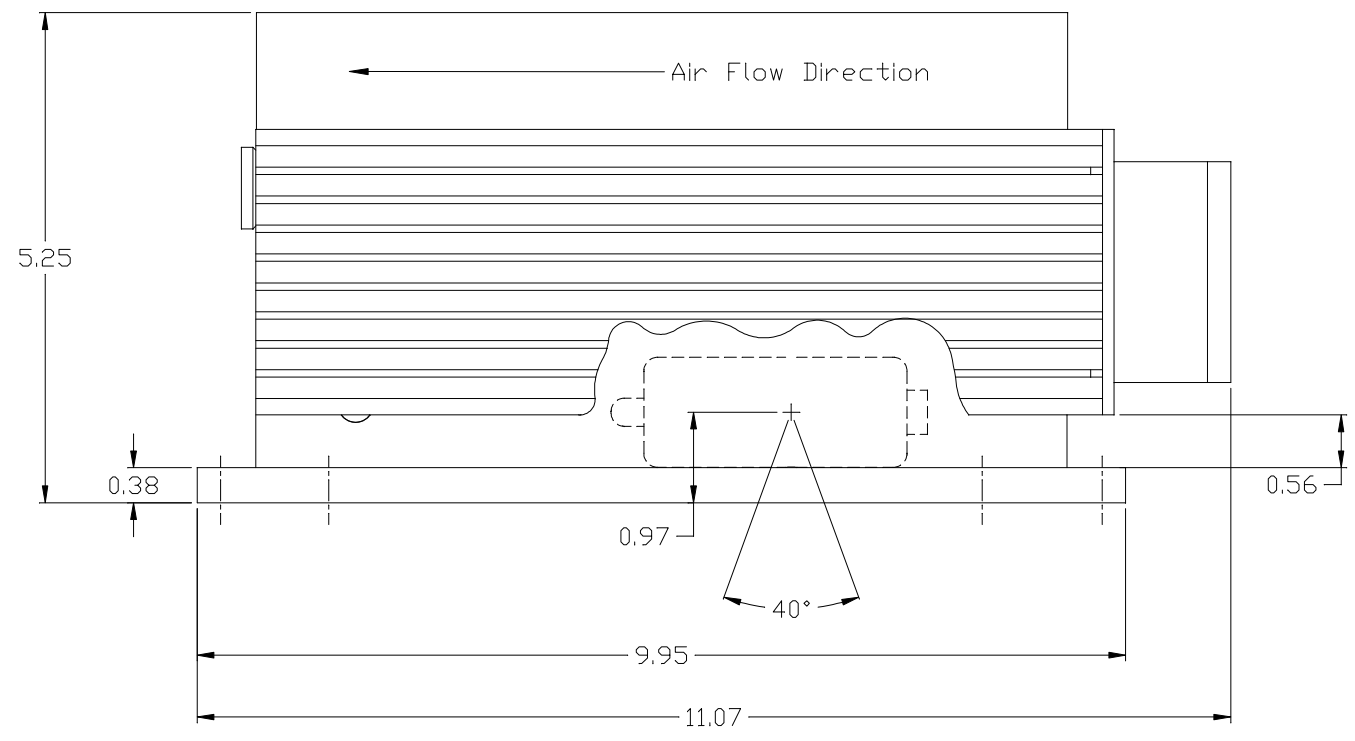


REVISIONS			
ZONE	REV.	DESCRIPTION	CHECKED
-	-	NEW RELEASE	



DISCLAIMER:
ALL INFORMATION CONTAINED IN THIS DRAWING IS SUBJECT TO CHANGE WITHOUT NOTICE. SPECIFICATIONS, DIMENSIONS, ETC., WERE DEEMED TO BE ACCURATE AT THE DATE OF PUBLICATION. CONTACT SOURCE-RAY INC. FOR THE LATEST INFORMATION.

REMOVE ALL BURRS
AND SHARP EDGES

PROPRIETARY NOTE
THIS DRAWING WITH SPECIFICATIONS CONTAINS
PROPRIETARY INFORMATION AND IS THE
PROPERTY OF SOURCE-RAY INC. IT SHALL NOT BE
REPRODUCED OR COPIED IN ANY MANNER, EXCEPT
UNDER CONTRACT OR AUTHORIZATION
FROM SOURCE-RAY INC.

UNLESS OTHERWISE SPECIFIED DIMENSIONS ARE IN INCHES TOLERANCES ARE:		MATERIAL:		167 KEYLAND COURT BOHEMIA, NEW YORK, 11716-2621	
FRACTIONS	DECIMALS	ANGLES		DRAWN BY:	DATE
# 1/64	.XX # .01	# 2'		G.R.	5/26/05
	.XXX# .005			CHECKED BY:	
				MECH. ENG:	
				ELECT. ENG:	
				RELEASED:	
NEXT ASSY	USED ON	FINISH:		TITLE	
				Outline System (Model SB-80-1K)	
				SIZE	DRAWING NO.
				D	S0801K
				SCALE	NO. REV'D
				1:1	T
				DO NOT SCALE DRAWING	SHEET
					1 of 1

