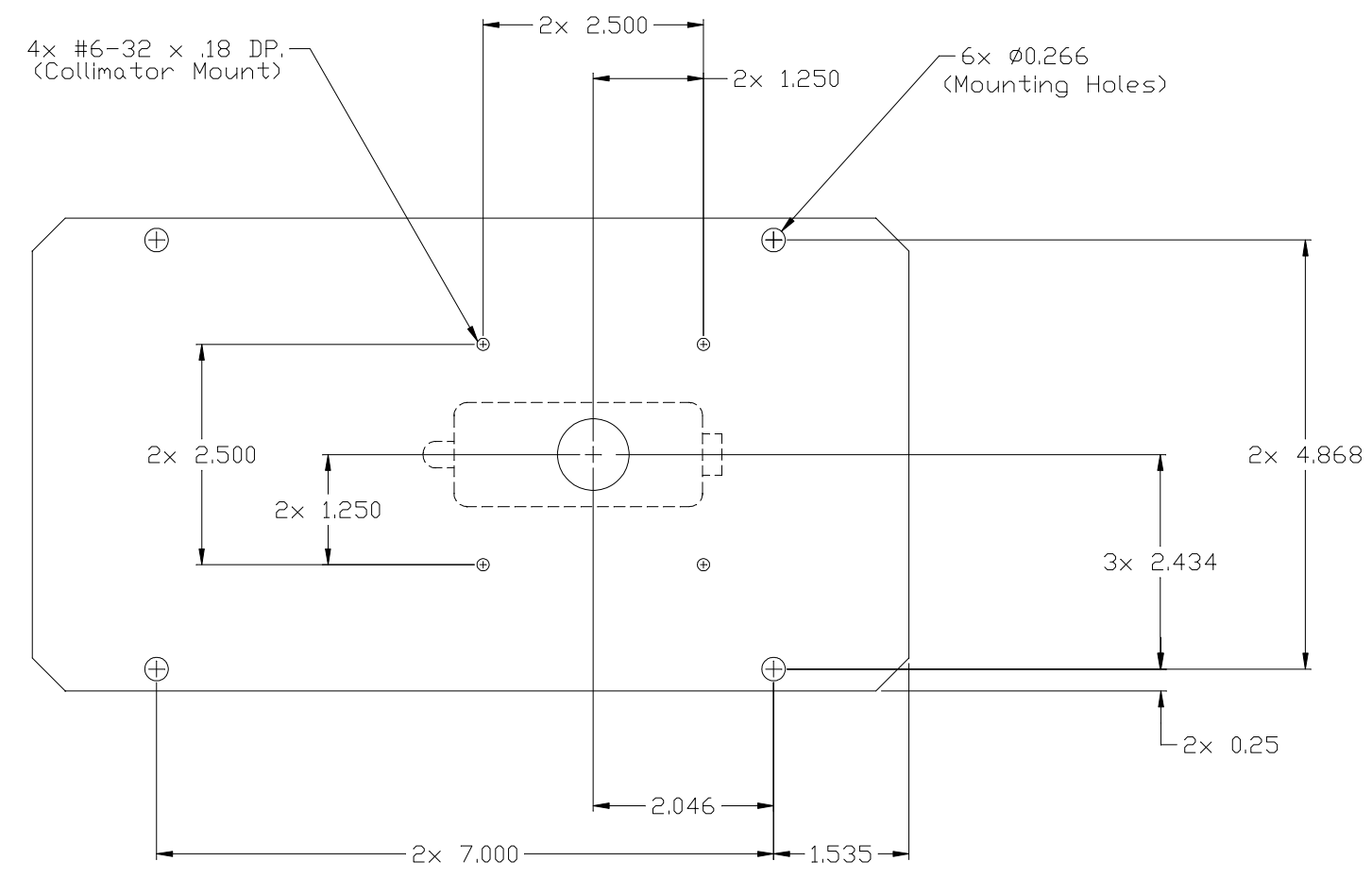
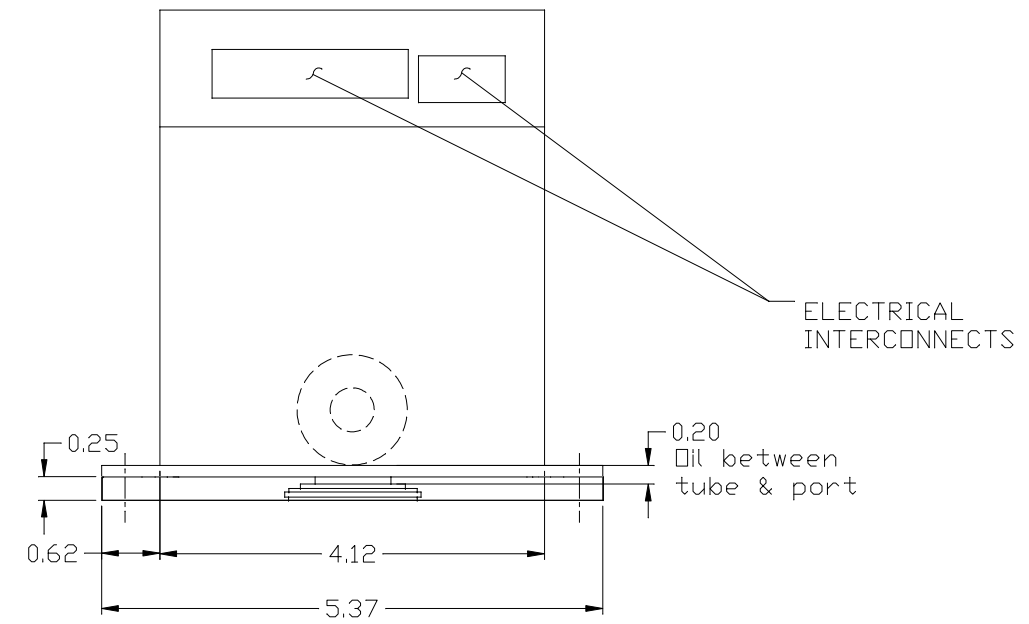
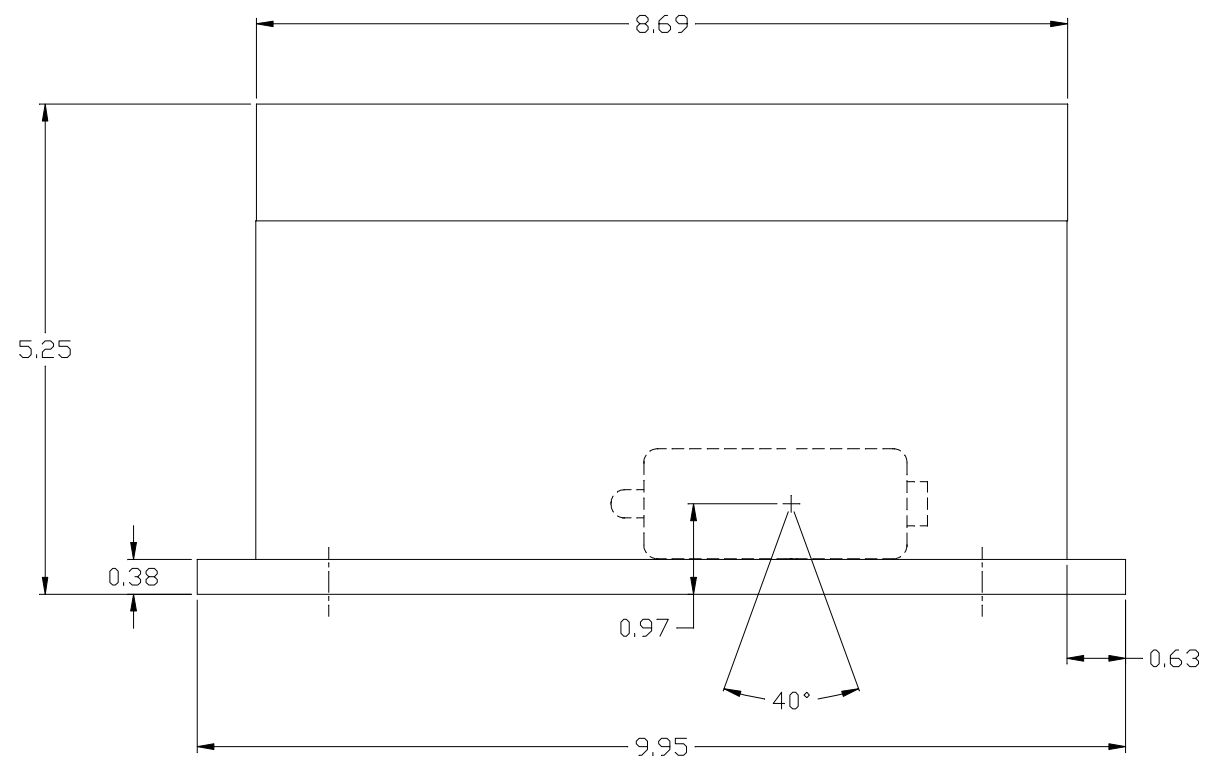


REVISIONS			
ZONE	REV.	DESCRIPTION	CHECKED
-	-	NEW RELEASE	



DISCLAIMER:
 ALL INFORMATION CONTAINED IN THIS DRAWING IS SUBJECT TO CHANGE WITHOUT NOTICE. SPECIFICATIONS, DIMENSIONS, ETC., WERE DEEMED TO BE ACCURATE AT THE DATE OF PUBLICATION. CONTACT SOURCE-RAY INC. FOR THE LATEST INFORMATION.

REMOVE ALL BURRS AND SHARP EDGES
 PROPRIETARY NOTE
 THIS DRAWING WITH SPECIFICATIONS CONTAINS PROPRIETARY INFORMATION AND IS THE PROPERTY OF SOURCE-RAY INC. IT SHALL NOT BE REPRODUCED OR COPIED IN ANY MANNER, EXCEPT UNDER CONTRACT OR AUTHORIZATION FROM SOURCE-RAY INC.

UNLESS OTHERWISE SPECIFIED DIMENSIONS ARE IN INCHES		TOLERANCES ARE:		FRACTIONS		DECIMALS		ANGLES		MATERIAL:		FINISH:	
# 1/64		.XX ± .01		° 2'		.XXX ± .005							
NEXT ASSY		USED ON		DRAWN BY:		DATE:		TITLE:		167 KEYLAND COURT BOHEMA, NEW YORK, 11716-2621		REV 1	
				G.R.		8/24/05		Outline System				Model: SB-80-250	
				MECH. ENG:				SIZE D		DRAWING NO.		SHEET 1	
				ELECT. ENG:				SCALE 1:1		NO. REV'D		DO NOT SCALE DRAWING	
				RELEASED:								1 of 1	

