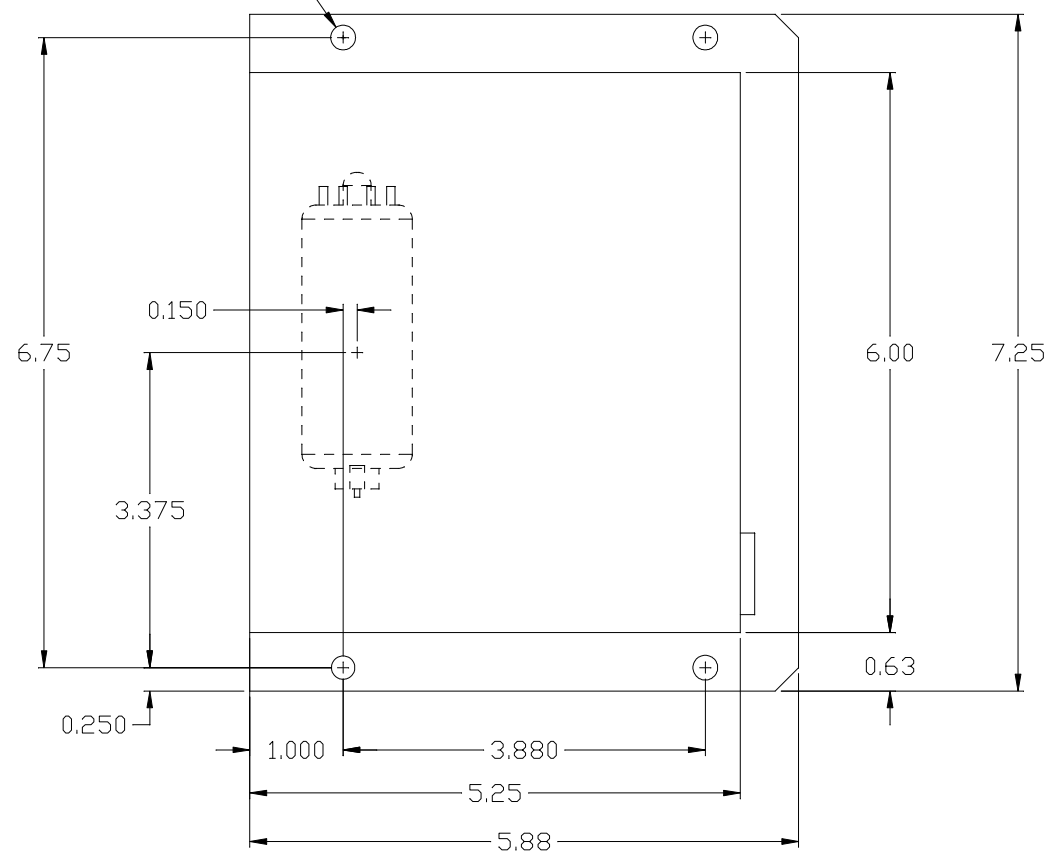
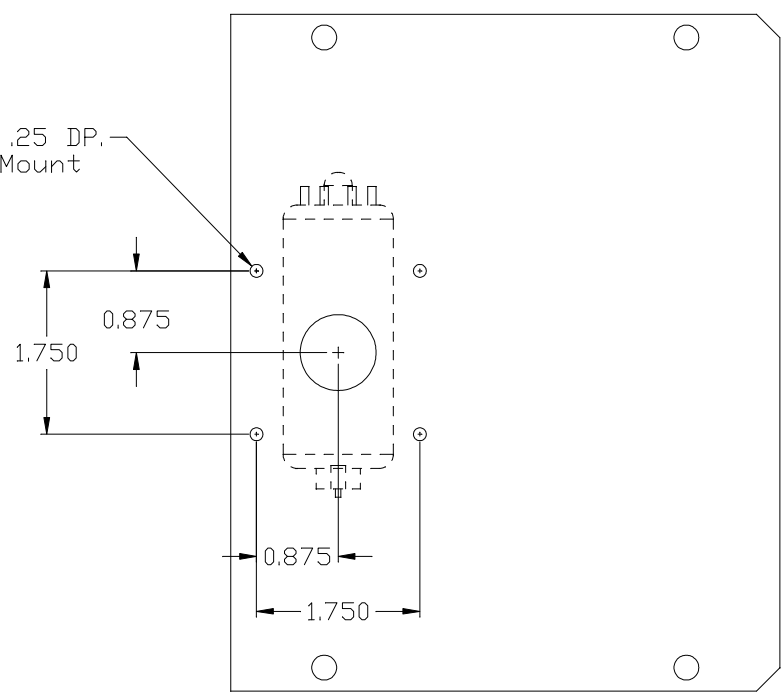


REVISIONS				
ZONE	REV.	DESCRIPTION	DATE	CHECKED
	-	NEW RELEASE		
	1	UPDATED TO LATEST CONFIG.	6/3/05	
	2	INCREASED LENGTH .065	9/4/05	

4X ϕ .266 THRU
Mounting Holes

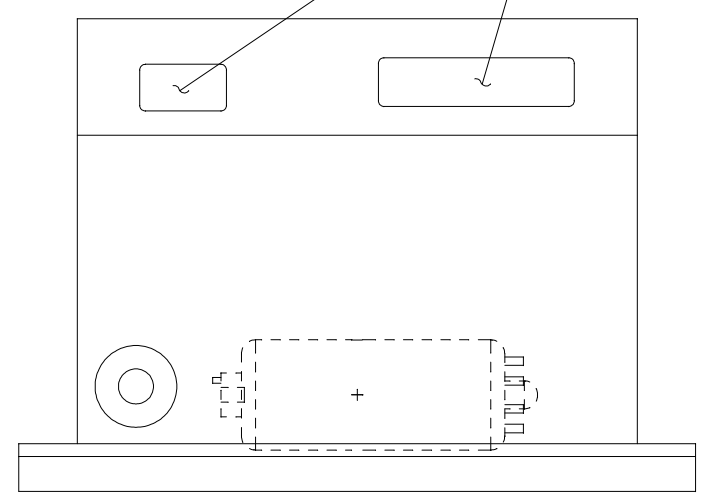


4X #6-32 x .25 DP,
Collimator Mount



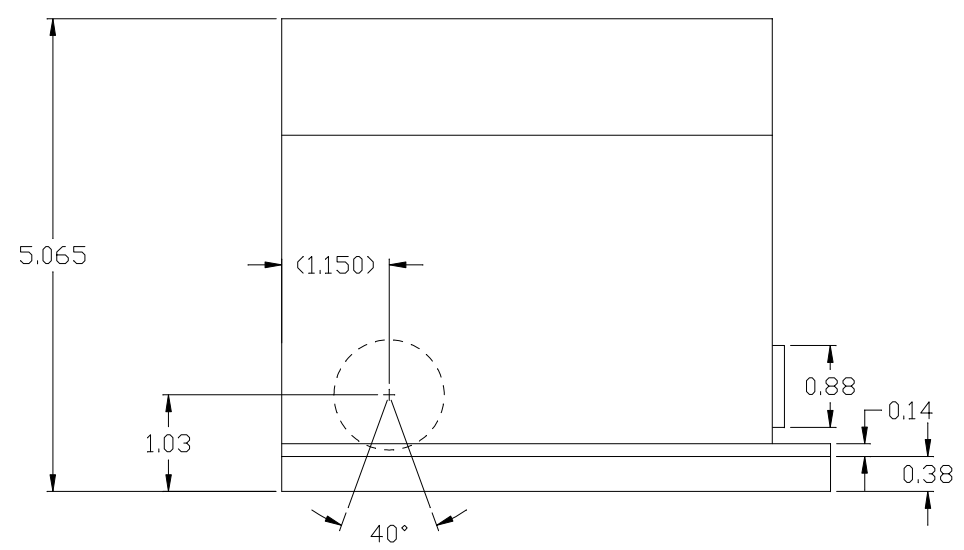
BOTTOM VIEW

ELECTRICAL INTERCONNECTS



DISCLAIMER:

ALL INFORMATION CONTAINED IN THIS DRAWING IS SUBJECT TO CHANGE WITHOUT NOTICE. SPECIFICATIONS, DIMENSIONS, ETC... WERE DEEMED TO BE ACCURATE AT THE DATE OF PUBLICATION. CONTACT SOURCE-RAY INC. FOR THE LATEST INFORMATION.



REMOVE ALL BURRS
AND SHARP EDGES

PROPRIETARY NOTE
THIS DRAWING WITH SPECIFICATIONS CONTAINS
PROPRIETARY INFORMATION AND IS THE
PROPERTY OF SOURCE-RAY INC. IT SHALL NOT BE
REPRODUCED OR COPIED IN ANY MANNER, EXCEPT
UNDER CONTRACT OR AUTHORIZATION
FROM SOURCE-RAY INC.

UNLESS OTHERWISE SPECIFIED DIMENSIONS ARE IN INCHES TOLERANCES ARE:		
FRACTIONS	DECIMALS	ANGLES
$\pm 1/64$	$\pm .01$	$\pm 2'$
	$\pm .005$	

MATERIAL:	

DRAWN BY:	DATE
G.R.	1-12-05
CHECKED BY:	
MECH. ENG.:	
ELECT. ENG.:	
RELEASED:	

Source-Ray Inc.	
167 KEYLAND COURT BOHEMA, NEW YORK, 11716-2621	
TITLE Outline, System (Model SB-80-500-EW)	
SIZE D	DRAWING NO.
SCALE 1:1	REV 3
NO. REV'D	SHEET 1 of 1