

# POWERMAX 1260



- Maximum Power Output
- 3.0 kW Across Full Range
- 120 kV, 15 – 60 mA
- High Frequency - Power Factor Correction
- Universal Input Voltage
- Microprocessor Control
- CR/DR Compatible
- Light Weight
- Designed for Reliability
- Durable Powder Coat Finish
- Limited 3 year warranty



**PowerMax 1260** Provides maximum power, state of the art technology, system reliability and low maintenance, all in a small footprint, lightweight package.

The **PowerMax 1260** was designed with agility in mind. Its compact, lightweight construction makes it easy for the operator to move the system effortlessly. Delivering maximum mR/mAs, the PowerMax 1260 produces 3kW of power across the entire kV range. With its constant 3kW output, the **PowerMax 1260** provides hospital quality imaging and offers an easy upgrade path for clinical sites transitioning to Digital Imaging.

The **PowerMax 1260** provides the power required to compensate for the slower operating speeds of CR Systems, and is the ideal **High Power portable x-ray system** for organizations considering the purchase of CR Systems.

The **PowerMax 1260** is suitable for use in Hospitals, Urgent Care Facilities, Medical Examiner Offices, Nursing Homes, Home Healthcare, Orthopedic Practices, Sports Medicine, Correctional Facilities, and Military Field Deployable Applications.

See why Source-Ray continues to set the Standard for **Quality Portable Imaging Solutions**.

## Source-Ray, Inc.

# POWERMAX 1260 ELECTRICAL SPECIFICATIONS

<b>Generator Power</b>	High frequency resonant inverter
Input Voltage	3.0 kW across full range
kVp Range	115 - 240 VAC 50/60 Hz
	40 – 120 kVp, adjustable in 1 kV increments - Closed loop regulation
	Power Factor Correction
mA Range	Adjustable, 15 mA - 60 mA - closed loop regulation
mAs Range	0.125 - 200
Exposure Time	0.01 – 3.33 seconds
Indicators	Digital display of kVp, mAs and Exposure Time X-Ray, Ready, mA Station and Fault indicators.
Filtration	3.6 mm al minimum @ 100kVp
	4.3 mm al minimum @ 120kVp
Exposure Switch	Detachable two-position
<b>X-Ray Tube</b>	Stationary Anode 130 kVp
Target Material	Tungsten
Anode Capacity	30,000 HU Storage
Focal Spot	1.2 mm
Target Angle	15°

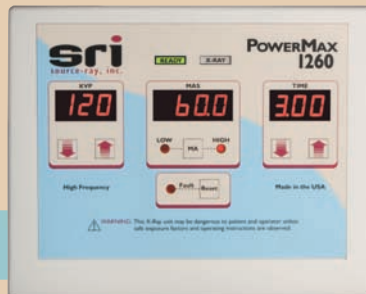
<b>Collimator</b>	Collimare CP-100-24-C
Laser Crosshairs	Center Locator
Tape Measure	SID Measurement
Inclinometer	Angle Measurement

## Model SR-1260

### Travel Stand

Min. F/S to Floor	13" / 33 cm
Max. F/S to Floor	78" / 198 cm
Hor. Ext. of F/S	21" / 53 cm
Hor. Rotation	200°
Tube Rotation	270°

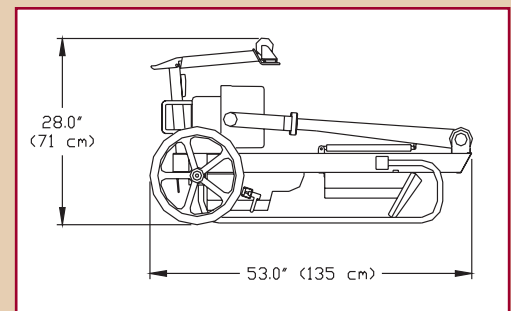
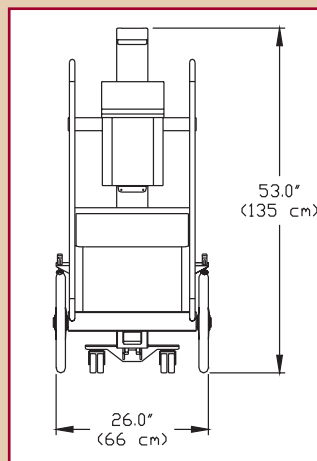
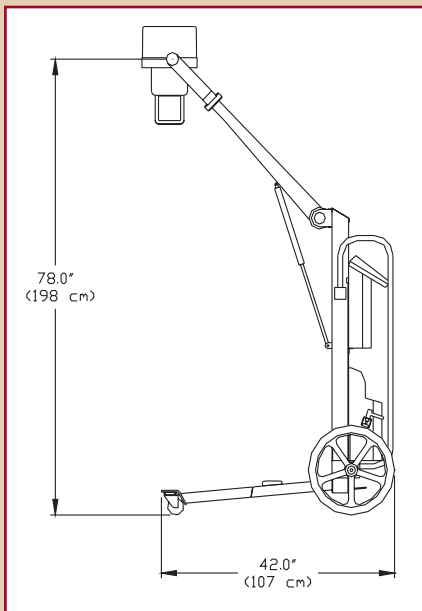
**System Weight** 110 lbs. / 50 kG



Complies with CFR 21 subchapter J



## DIAGRAMS



Specifications are subject to change without notice.

Source-Ray, Inc. • 167 Keyland Court • Bohemia, NY 11716  
(631) 244-8200 • Email: [x\\_raysales@sourceray.com](mailto:x_raysales@sourceray.com) • fax (631) 244-7464

