

FILM BASED PORTABLE X-RAY SYSTEMS

sri
source-ray, inc.

The SR-130 provides higher power, state of the art technology, system reliability and low maintenance, all in a small footprint, lightweight package.

The SR-130 was designed with agility in mind. It's compact, lightweight construction makes it easy for the operator to move the system effortlessly.

Delivering maximum mR/mAs, the SR-130 produces 3 kW of power that provides hospital quality imaging, performed anywhere, anytime a Portable X-Ray System is transported to a patient.



Model: SR-130

- Higher Power Output (3.0 kW)
- 100 kV, 30 mA, 120 mAs
- High Frequency
- Microprocessor Control
- CR/DR Compatible
- Light Weight
- Designed for Reliability
- Durable Powder Coat Finish
- Limited 3 year warranty
- UL Recognized

Model SR-130 SPECIFICATIONS

Generator

Input Voltage
kVp Range

mA Range

mAs Range
Exposure Time
Indicators

High frequency resonant inverter – 3.0 kW
115/230 VAC, 50/60Hz
40 – 100 kVp, adjustable in 1 kV increments - closed loop regulation
Fixed, 15 mA and 30 mA - closed loop regulation
0.15 - 120
0.01 – 4.00 seconds
Digital display of kVp, mAs and Time. X-Ray, Ready, mA Station and Fault indicators.

Exposure Switch

Detachable two-position

X-Ray Tube

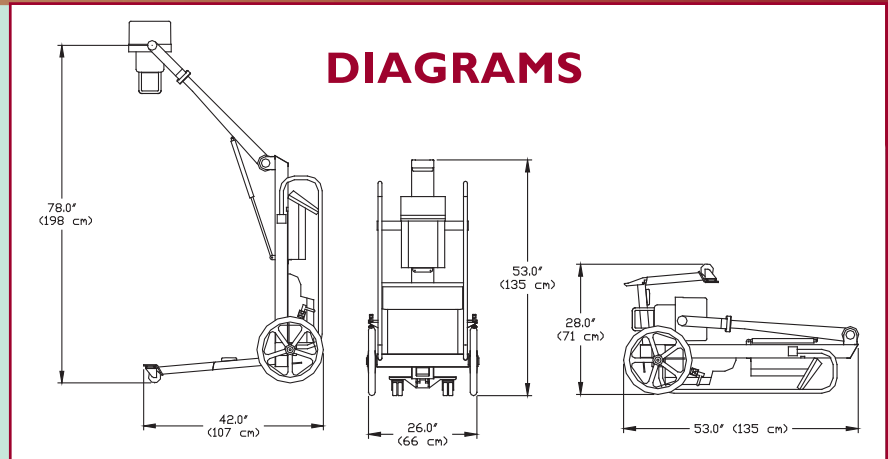
Filtration
Target Material
Anode Capacity
Focal Spot
Target Angle

Stationary Anode 110 kVp
2.7 mm al minimum
Tungsten
45,000 HU Storage
1.0 mm
15°

Collimator

Laser Crosshairs
Tape Measure
Inclinometer

Collimare CP-24-C
Center Locator
SID Measurement
Angle Measurement



Travel Stand

Min. F/S to Floor 13" / 33 cm
Max. F/S to Floor 78" / 198 cm
Hor. Ext. of F/S 21" / 53 cm
Hor. Rotation 200°
Tube Rotation 270°

System Weight 100 lbs. / 45 kg



(Complies with CFR 21 Subchapter J)



Specifications are subject to change without notice.

ISO 9001-2008 Certified.

Names of companies and/or products appearing in this document are trademarks and /or registered trademarks for their respective companies.

Source-Ray, Inc. • 50 Fleetwood Court • Ronkonkoma, NY 11779

(631) 244-8200 • Email: x_raysales@sourceray.com • fax (631) 244-7464